



Submittal Sheet

Aquatic products may be specified as Lasco Bathware.

F6032APAN

ADA/ANSI Compliant

CUSTOMER: _____
 JOB NAME: _____
 PO #: _____
 QUOTE #: _____ QUANTITY: _____
 SHIP TO: _____

STANDARD FEATURES

- Code compliant when fully equipped and installed according to guidelines
- Lustrous, durable, easy-to-clean Lucite® cast acrylic
- Pre-leveled base
- Center drain location
- Slip resistant, textured bottom [ASTM F-462]

OPTIONS

- Standard Colors: Almond Biscuit
 Bone White White Sterling Silver
 Other _____
 Brass drain

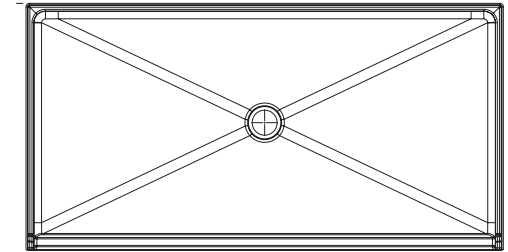
For pricing of units and additional options, reference the Aquatic Price Book.

_____/_____/_____
 PLUMBING CONTRACTOR APPROVAL DATE

_____/_____/_____
 GENERAL CONTRACTOR APPROVAL DATE

_____/_____/_____
 ENGINEER APPROVAL DATE

_____/_____/_____
 ARCHITECT APPROVAL DATE



IMPORTANT: ADA compliant showers with NO interior threshold will have water escape onto the bathroom floor. Aquatic highly recommends you take the following precautions:

1. Install only the minimum number of ADA units without an interior threshold required for each job. If possible install Aquatic's accessible models that have a ½ (15) interior threshold to reduce the amount of water that escapes from the shower.
2. When installing units with NO interior threshold, install a FLOOR DRAIN to control the water that escapes onto the bathroom floor.
3. Depending on your application, you may choose to install Aquatic's vinyl flexible dam or removable threshold, which helps better retain water within the shower. However, these items may not necessarily meet ADA or other code requirements. Always confirm code compliance with your local building authority.



Int. Dim.	60 W x 30 D x 5 ¼ H (1525 x 760 x 130)
Ext. Dim.	62 W x 32 D x 5 ¼ H (1575 x 815 x 130)
Skirt Ht.	¾ (20) dam, ½ (15) interior threshold
Packaged Wt.	40 lbs. (18 kg.) gross
Material	Acrylic
Warranty	Acrylic Finished Products — Five Years

inches (mm)

To complete your order, this document must be signed and faxed to the Aquatic Centralized Customer Service Center.

Fax (866) 544-5353 • Phone (800) 945-2726

For pricing of units and additional options, reference the Aquatic Price Book. • Please indicate custom changes on reverse side drawings.

Rev. 12.15.15
 Rev. 02.02.16

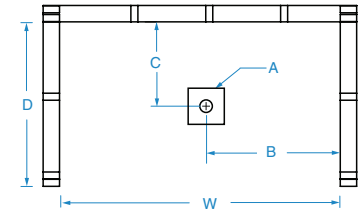
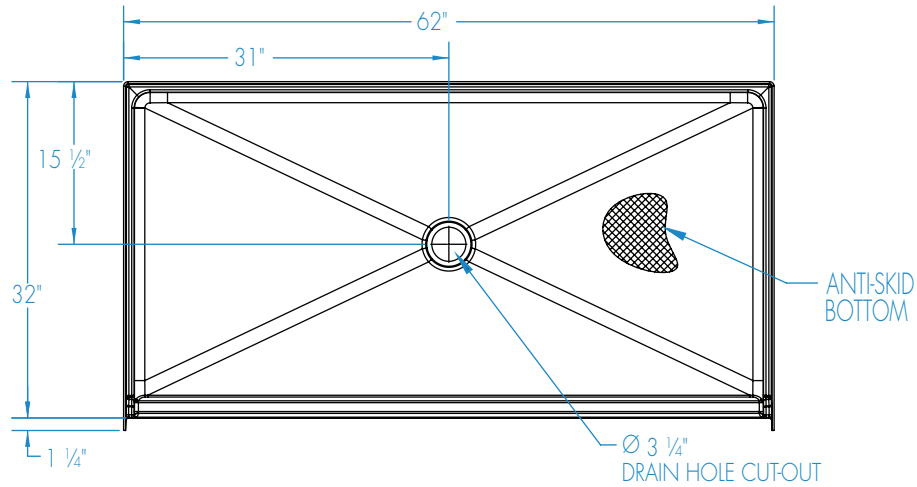


Submittal Sheet

Aquatic products may be specified as Lasco Bathware.

F6032APAN ADA/ANSI Compliant

Please indicate changes needed.

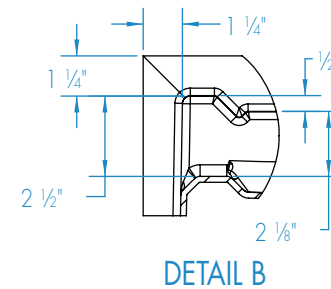
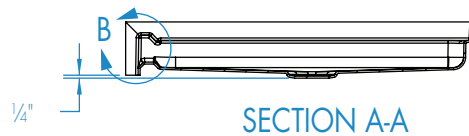
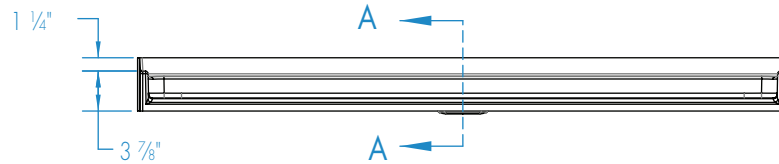


FRAMING DIMENSIONS inches (mm)

Type	D Depth	W Width	A	B	C
Alcove	32 (815)	62 3/8 (1580)	Box Out	31 (785)	15 1/2 (395)

Installation Options:

1. Install in a recessed pit for rough-in floor installation.
2. Build sub-floor to level finished floor with top of shower threshold.



Shell tolerance: +0, - 3/6" All other tolerances: ± 1"