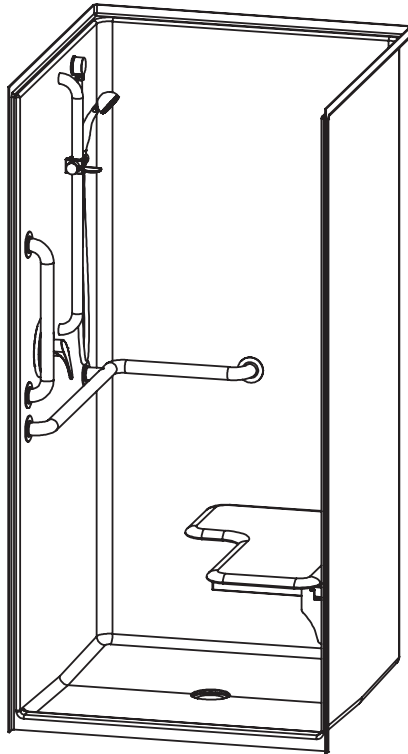


1363BFS – ACCESSIBLE SHOWERS

inches

Interior: 36 x 36 x 74 1/8

Exterior: 38 x 38 1/4 x 77 1/8



FEATURES

- AcrylX™ applied acrylic surface
- 1 3/4" skirt
- 1/2" interior threshold
- Barrier free when properly installed
- Smooth wall
- Center drain
- Lifetime limited warranty (30 year commercial)

OPTIONS

- RH or LH fixture wall
- Grab bars
- Fold-up seat
- Hand-held shower assembly with slide bar
- Pressure balancing mixing valve
- Soap dish
- Curtain rod and/ or shower curtain

CODE COMPLIANCE

- IAPMO Z124-2017
- CSA-B45-11

**Code compliant when fully equipped and installed according to guidelines.

AQUATIC ADVANTAGE

- National distribution
- 7 manufacturing facilities
- Private fleet
- Centralized customer service
- Field support

COLOR & TRIM OPTIONS

Stock	Upgraded
White	Almond Biscuit Bone

**Additional custom colors available.
(Contact Customer Service)



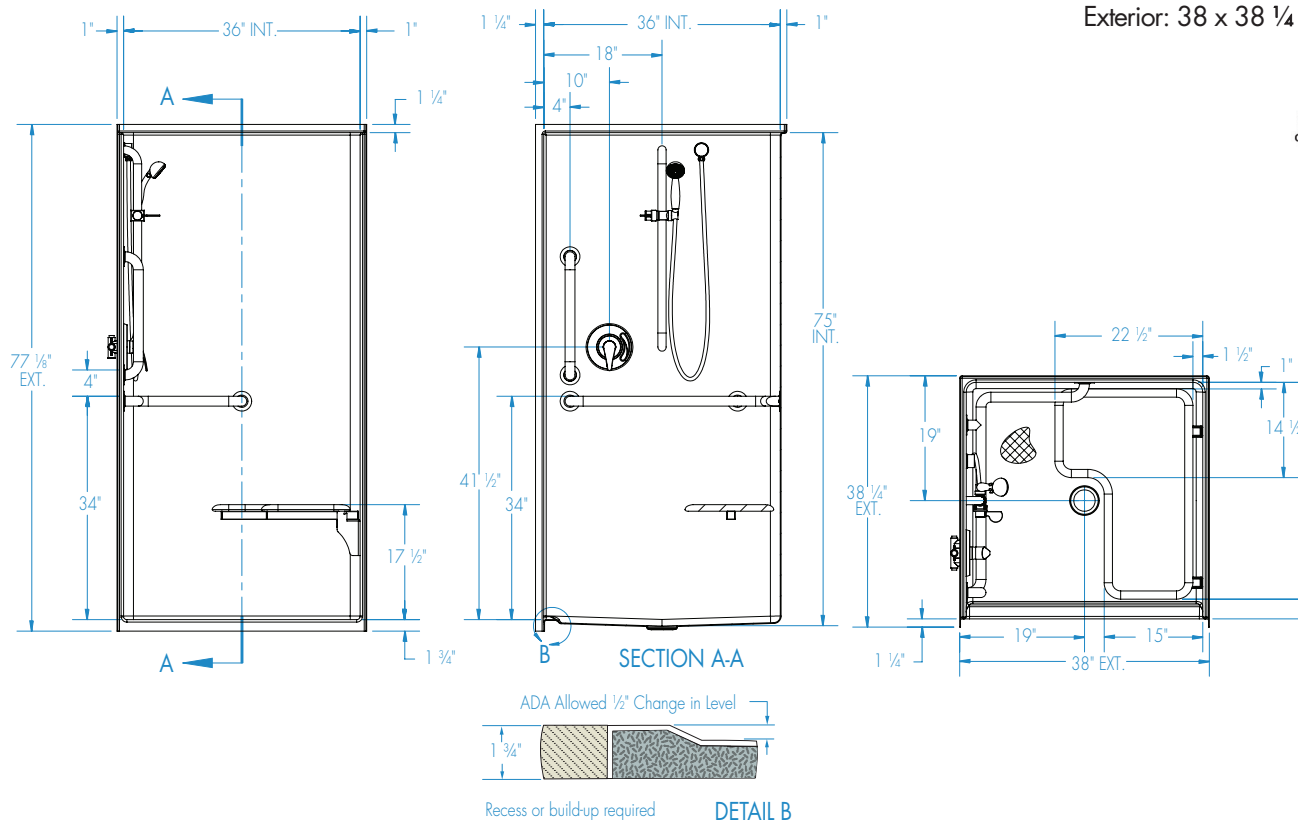
Aquatic products may be specified as Lasco Bathware.



Aquatic products may be specified as Lasco Bathware.

1363BFS

Interior: 36 x 36 x 74 1/8
Exterior: 38 x 38 1/4 x 77 1/8
inches



FEATURES

Dimensional Tolerance $\pm \frac{3}{8}$ ". Dimensions needed for site preparation should be measured from the unit. Aquatic assumes no responsibility for preparatory work.

Type and Model #	Material	Wall Finish	Pieces	Drain	Dam/Skirt Height	Net Wt. lbs	Pkg. Wt. lbs
Shower #1363BFS	AcrylX™	Smooth	1	Center	1 3/4" skirt, 1/2" interior threshold	142	152

DIMENSIONS

Specifications	inches
Width: Overall / Net	38 / 36
Depth: Overall / Net	38 1/4 / 36
Height: Overall / Net	77 1/8 / 74 1/8
Enclosure Opening:	36
Skirt Height:	1 3/4
Drain Rough-In (from Back Wall)	19
Drain Rough-In (from Side Wall)	19

FRAMING DIMENSIONS inches

Type	D Depth	W Width	H Height	A	B	C
Alcove	38 1/4	38 1/8	-	Box Out	19	19

