



Submittal Sheet

Aquatic products may be specified as Lasco Bathware.

16034TRCOL

ADA compliant with Seat

CUSTOMER: _____
 JOB NAME: _____
 PO #: _____ QUOTE #: _____
 DATE: _____ QUANTITY: _____
 SHIP TO: _____

_____/_____/_____
 PLUMBING CONTRACTOR APPROVAL DATE

_____/_____/_____
 GENERAL CONTRACTOR APPROVAL DATE

_____/_____/_____
 ENGINEER APPROVAL DATE

_____/_____/_____
 ARCHITECT APPROVAL DATE

CONFIGURATION (handed by seat location)

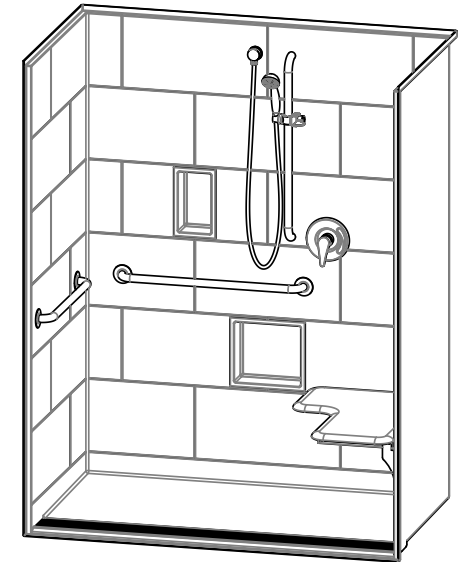
- Fully configured — ADA
 Seat Location LH RH
 Includes one 24" x 1 1/4" diameter stainless grab bar located on the side wall;
 One 30" x 1 1/4" diameter stainless grab bar located on the back wall; white cushioned,
 L-shaped fold-up seat; pressure balancing mixing valve; hand-held shower assembly;
 and stainless steel grate. Grab bar, mixing valve and handheld shower installed adjacent
 to seat per ADA guidelines.

CUSTOM OPTIONS (not avail. if ADA configuration is selected)

- L-shaped fold-up seat LH RH
 Cushioned white Phenolic teak Phenolic white
- Grab bars:
 One 24" (side wall) and one 30" (back wall)
 Stainless steel (1 1/4" dia.) LH RH
 Powder-coated white (1 1/4" dia.) LH RH
- Fixture Wall LH RH Back wall
 Hand-held shower assembly with 30" slide bar and 60" hose
 Pressure balancing mixing valve
- Grate:
 Stainless steel
 White

OPTIONAL ACCESSORIES (available for all models)

- Large soap dish (12 1/2" W x 3 1/2" D x 1 1/2" H), shipped loose
 Small soap dish (7" W x 3 1/2" D x 1 1/2" H), shipped loose
 Curtain rod (Not ADA compliant)
 Shower curtain
 Brass drain
- Colors:
 Standard White
 Upgraded Biscuit Bone
 Other (contact customer service for custom color options)
- Additional accessories: _____



STANDARD FEATURES

- Pre-leveled base
- AcrylX™ applied acrylic surface
- 1" COL skirt
- Compliant when properly installed
- Center drain outlet
- Integral front trench drain
- Lifetime limited warranty Residential Use/ 30-year Commercial Use
- 12" x 24" subway tile
- Slip resistant, textured bottom [ASTM F-462]
- Code compliant when fully equipped and installed according to guidelines

Int. Dim. 60 W x 34 D x 76 3/4 H
 Ext. Dim. 62 1/4 W x 36 1/8 D x 78 3/4 H
 Skirt Ht. 1 COL skirt
 Packaged Wt. 210 lbs.
 Material AcrylX™ applied acrylic
 Warranty AcrylX™ Finished Products — Lifetime Limited

inches

To complete your order, this document must be signed and faxed to the Aquatic Centralized Customer Service Center.

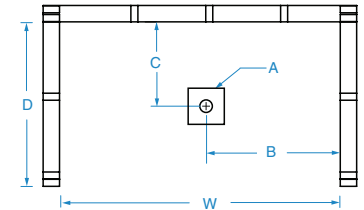
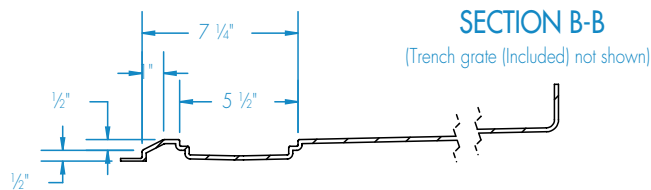
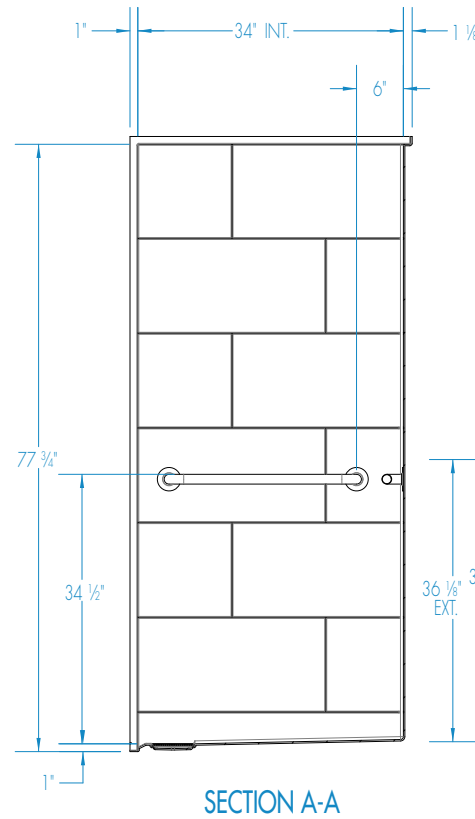
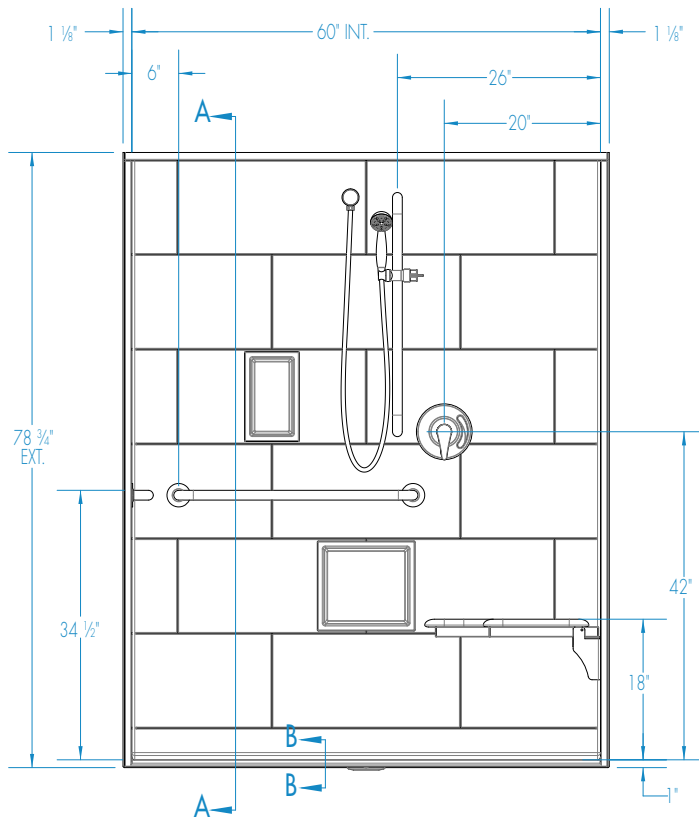
Fax (866) 544-5353 • Phone (800) 945-2726



Submittal Sheet

Aquatic products may be specified as Lasco Bathware.

16034TRCOL ADA compliant with Seat
Please indicate changes needed.

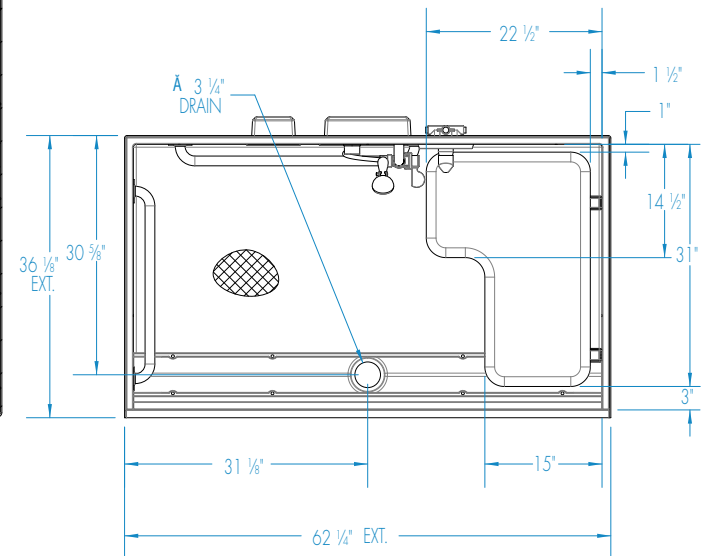


FRAMING DIMENSIONS inches (mm)

Type	D Depth	W Width	A	B	C
Alcove	36 1/8"	62 1/4"	Box Out	31 1/8"	30 5/8"

Installation Options:

1. Install in a recessed pit for rough-in floor installation.
2. Build sub-floor to level finished floor with top of shower threshold.



Shell tolerance: +0, -3/8" All other tolerances: ±1"

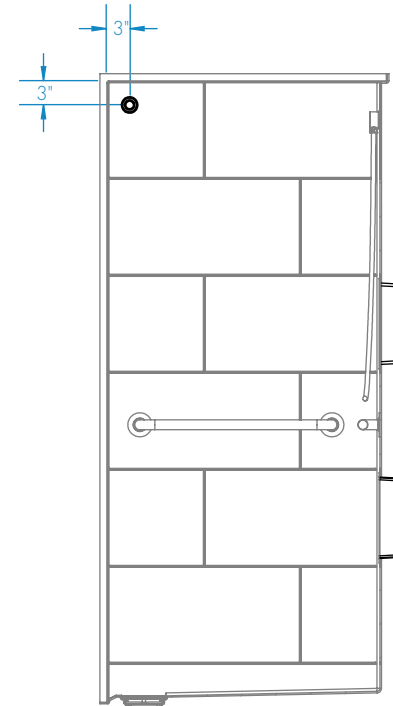
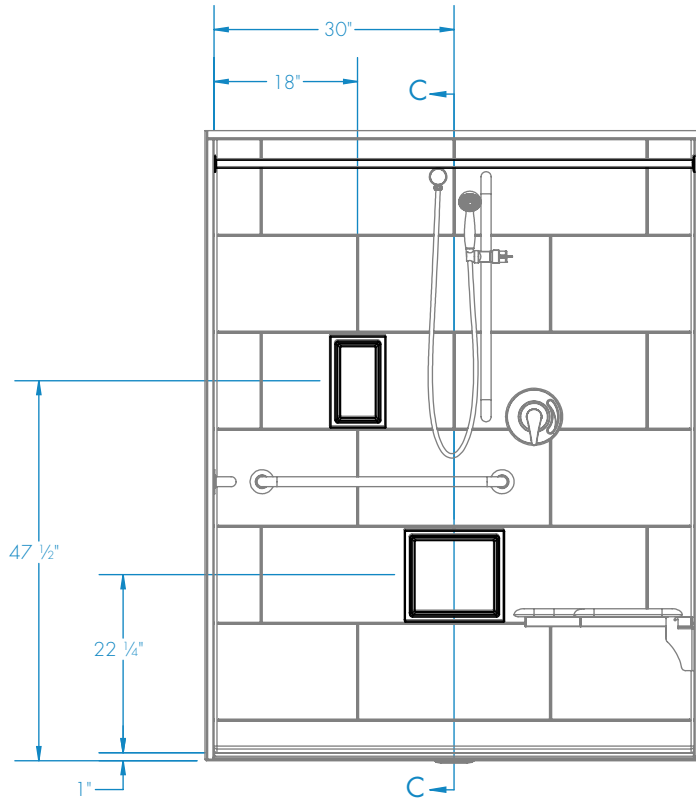


Submittal Sheet

Aquatic products may be specified as Lasco Bathware.

16034TRCOL ADA compliant with Seat
Please indicate changes needed.

Curtain Rod and Soap Dish Locations (Standard Valve Configuration)



SECTION C-C

Shell tolerance: +0, - 3/8" All other tolerances: ±1"

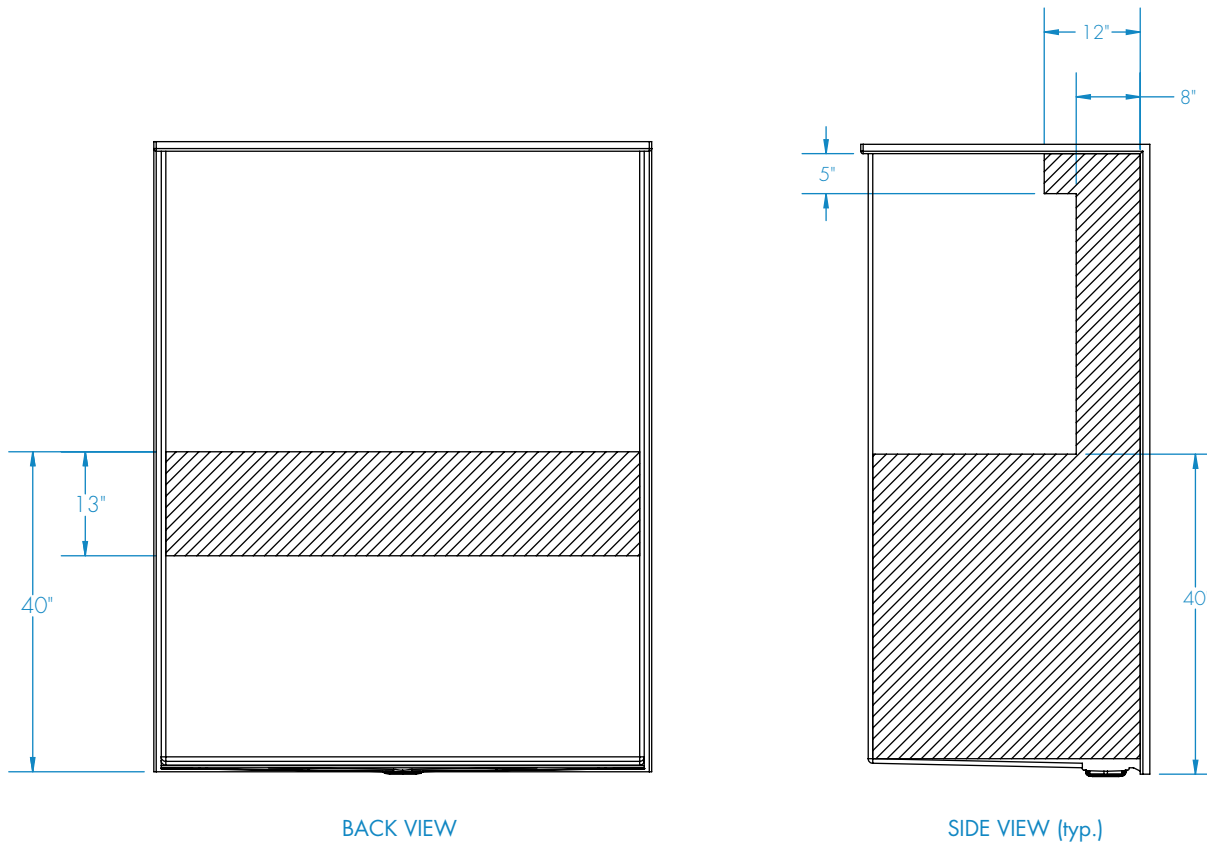


Submittal Sheet

Aquatic products may be specified as Lasco Bathware.

16034TRCOL ADA compliant with Seat
Please indicate changes needed.

Reinforcement Locations (Standard)



 = REINFORCEMENT

Shell tolerance: +0, - 3/8" All other tolerances: ±1"