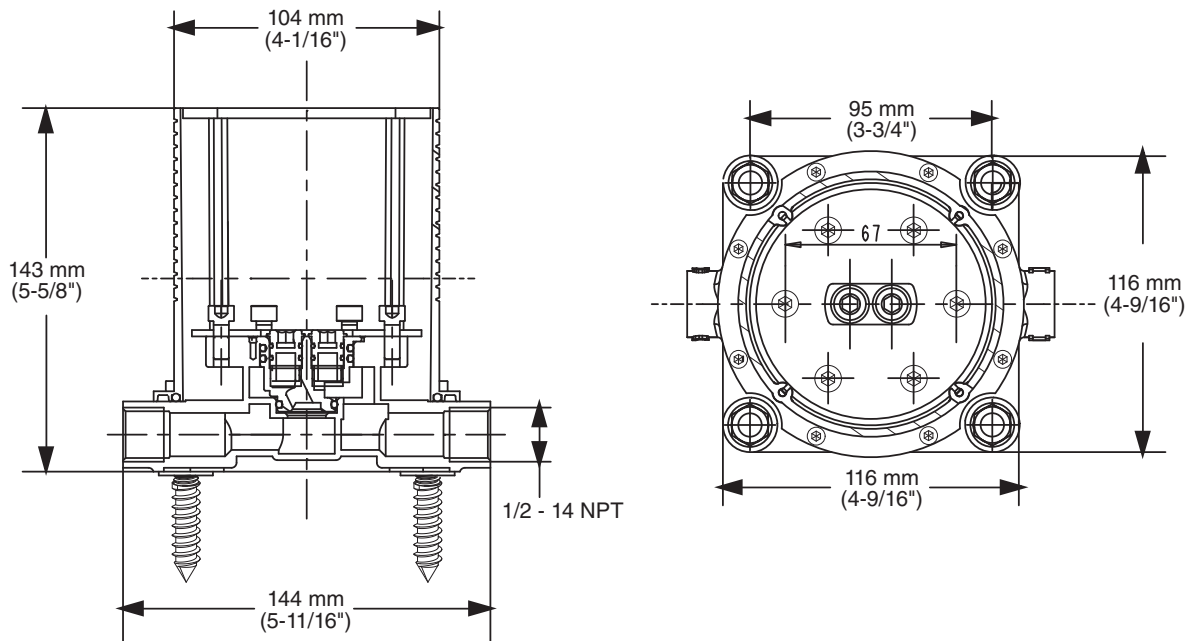


MODEL NUMBER:

- ❑ **R950 FLASH** Free Standing Tub Filler Rough Valve.
- ❑ **R950SS FLASH** Free Standing Tub Filler Rough Valve with Service Stops.



GENERAL DESCRIPTION:

- Durable Brass Construction
- Dust Guard included
 - protects valve from debris
 - serves as guide for installation depth
- Test plugs included for water testing without needing trim

PRODUCT FEATURES:

- Brass Construction:** Durable. Ideal for prolonged contact with water.
- Self-Leveling Hardware Included:** Allows for a precise installation.
- Surface Flexibility:** Able to accommodate concrete slab installation.

SUGGESTED SPECIFICATION

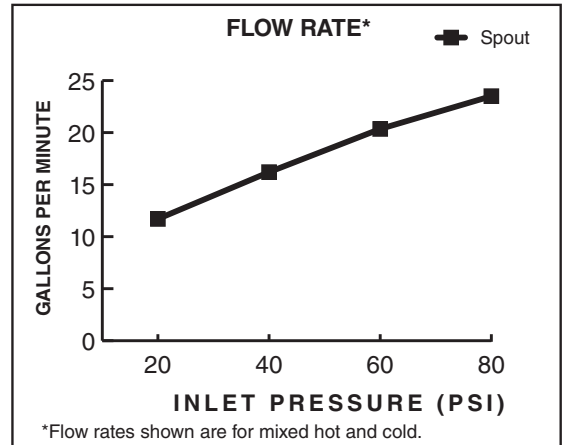
Free standing tub filler shall feature cast brass construction. Shall also feature integrated dust guard and self-leveling hardware. Fitting shall be American Standard Model # R950__.

CODES AND STANDARDS

These products meet or exceed the following codes and standards:

ASME A112.18.1
CSA B125.1

Corresponding Trim includes integral backflow protection.



Product Number	Description	Finish Options
		Unfinished
R950	Flash Free Standing Tub Filler Rough Valve.	
R950SS	Flash Free Standing Tub Filler Rough Valve with Service Stops.	

