

TU353502 Bath/Shower Trim Shown

**GENERAL DESCRIPTION:**

**Double Ceramic Pressure Balance Cartridge:** Features one-piece design with ceramic discs and ceramic balancing spool. Includes integrated check valves and hot limit safety stop. Cartridge capable of back to back capability. Ceramic balancing spool maintains constant output temperature in response to changes in relative hot and cold supply pressure. Washerless ceramic discs provide smooth handle movement and are unaffected by harsh water conditions.

**Trim:** Features 6" showerhead with a maximum 2.5 gpm/9.5 L/min. flow rate. Metal slip-on diverter spout. Metal wall valve trim with metal lever.

**PRODUCT FEATURES**

**One-Piece Cartridge:** Simplifies installation and maintenance.

**Double Ceramic Pressure Balance Cartridge:** Combination of Ceramic Disc Mixing Valve and a Ceramic Balancing Spool in a one-piece cartridge.

**Ceramic Disc Mixing Valve:** Assures a lifetime of drip-free performance and smooth handle operation.

**Ceramic Balancing Spool:** Maintains a constant output temperature in response to changes in relative hot and cold supply pressure. Ceramic material is unaffected by mineral deposits and harsh water conditions.

**Integrated Check Valves:** Engineered to eliminate cross flow.

**Adjustable Hot Limit Safety Stop:** Limits the amount of hot water allowed to mix with cold. Reduces the risk of accidental scalding.

**Comfort Zone:** Offers a wider shower range to fine tune the desired temperature within the useful temperature zone.

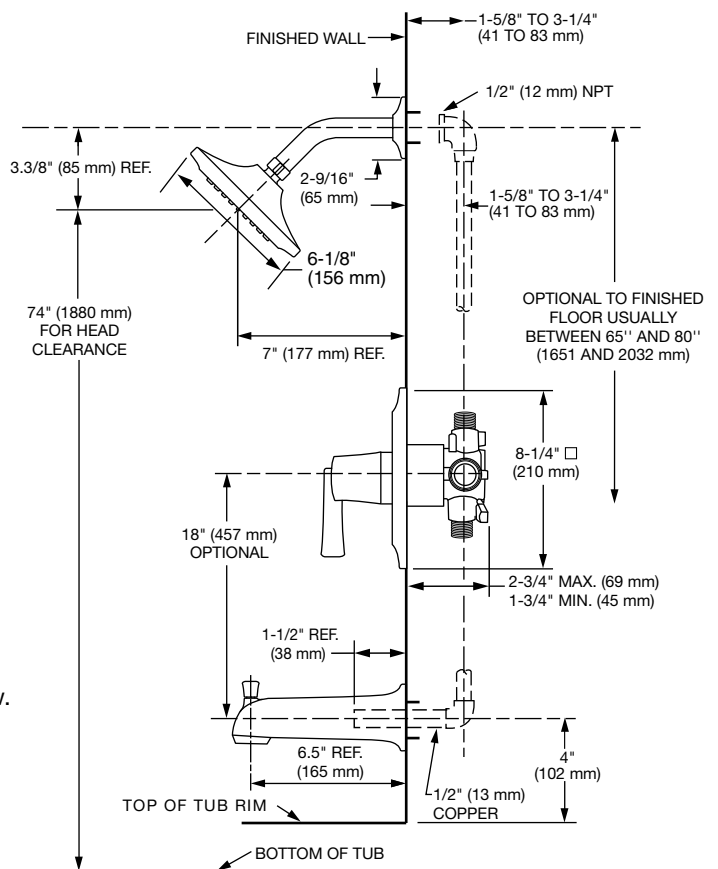
**Back-to-Back Capability:** Hot and cold can be reversed quickly and easily.

**MODEL NUMBER:**

**TRIM KITS:**

- ❑ TU353502 Townsend Bath/Shower Trim Kit with Pressure Balance Cartridge  
Lever handle. LESS valve body.
- ❑ TU353501 Townsend Shower ONLY Trim Kit with Pressure Balance Cartridge  
Lever handle. LESS valve body.
- ❑ TU353500 Townsend Valve ONLY Trim Kit with Pressure Balance Cartridge  
Lever handle. LESS valve body.

**For use with Flash™ Rough Valve Bodies**



**SUGGESTED SPECIFICATION**

Bath/shower fitting shall feature showerhead with Max. 2.5 gpm/9.5 L/min. flow rate. Shall feature double ceramic pressure balance cartridge. Cartridge is capable of back to back installation and shall feature integrated check valves to eliminate cross flow. Capable of meeting ASSE1016 @1.3gpm. Cartridge shall also feature hot limit safety stop. Fitting shall be: American Standard - Trim Kit Model # TU35350\_ and Flash Valve Body Model # RU10\_.

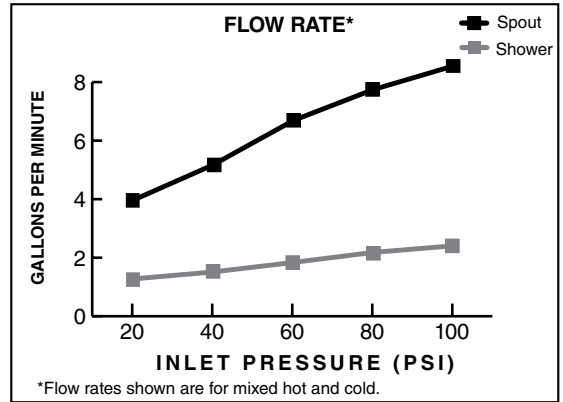
**CODES AND STANDARDS**

These products meet or exceed the following codes and standards:

**ASSE 1016 / ASME A112.18.1016 / CSA B125.16**

**ASME A112.18.1 / CSA B125.1**

**Rated to meet ASSE 1016 @ 1.3gpm**



TRIM KITS *	Product Number	Description	Finish Options			
			Polished Chrome	Polished Nickel	Legacy Bronze	PVD Brushed Nickel
			002	013	278	295
TU353502	Bath/Shower Trim Kit. Metal lever handle. Includes cartridge.LESS valve body.					
TU353501	Shower Only Trim Kit. Metal lever handle. Includes cartridge. LESS valve body.	ADA				
TU353500	Valve Only Trim Kit. Metal lever handle. Includes cartridge. LESS valve body.	ADA				

**\* TRIM & ROUGH MUST BE ORDERED SEPARATELY.**

Flash™ ROUGH VALVE BODIES	Product Description	Without Screwdriver Stops	With Screwdriver Stops
	Rough Valve Body. Universal* inlets/outlets.	RU101	RU101SS
	Rough Valve Body. Stub-out inlets/outlets for Press-Fit Fittings.	RU102	RU102SS
	Rough Valve Body. PEX inlets/Universal outlets for Crimp Ring PEX system (ASTM F1807).	RU107	RU107SS
	Rough Valve Body. PEX Elbow inlets/Universal outlets for Crimp Ring PEX system (ASTM F1807).	RU107E	RU107ESS
	Rough Valve Body. PEX inlets/Universal outlets for Cold Expansion PEX system (ASTM F1960).	RU108	RU108SS
	Rough Valve Body. PEX Elbow inlets/Universal outlets for Cold Expansion PEX system (ASTM F1960).	RU108E	RU108ESS
	Rough Valve Body. CPVC inlets/Universal outlets.	RU109	RU109SS

OPTIONAL ACCESSORY	Product Number	Product Description
	M970649-YYY0A	Deep Rough-In Kit