

POP-UP DRAIN

Cat. No.
57100



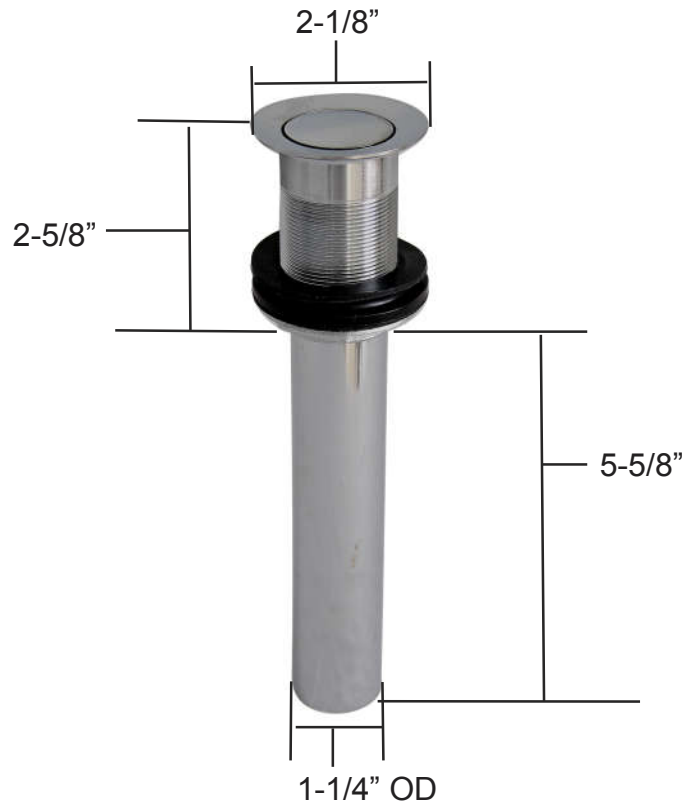
Overall length: 11-7/8"

Features:

- ▶ Press type pop-up drain
- ▶ Drain plated for exposed applications
- ▶ Soft touch operation eliminates need for lift rod
- ▶ No overflow
- ▶ For sinks with a maximum 1-1/2" thickness
- ▶ Fits sinks with 1-1/2" drain hole
- ▶ 2" Threaded drain body
- ▶ 8-3/8" x 1-1/4" Outer diameter for tailpiece
- ▶ Available in 8 finishes

Finishes:

- BN** Brushed Nickel
- MB** Matte Black
- CP** Polished Chrome
- PN** Polished Nickel
- ORB** Oil Rubbed Bronze
- AB** Antique Brass
- PB** Polished Brass
- AC** Antique Copper



Dimensions and specifications subject to change without notice.