

# 35" SEVERN DOUBLE BOWL UNDERMOUNT SINK

Cat. No  
KSCDB3500



W: 35-1/8"  
D: 18"  
H: 9-1/2"

**\*Please do NOT cut hole without template or actual product.**

## Interior Bowl Dimensions:

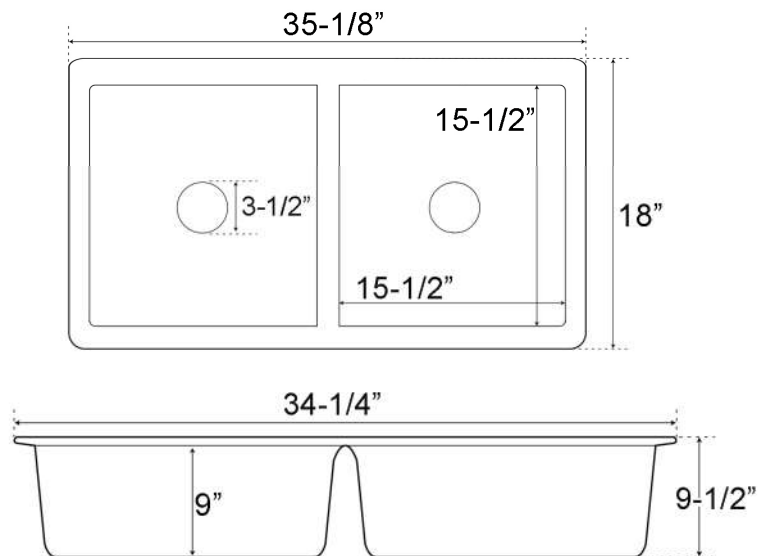
Each Basin Interior: 15-1/2" W x 15-1/2" D  
Basin Depth: 9"

## Features:

- ▶ Constructed of solid 16 gauge copper
- ▶ Smooth and flat 3/4" rim
- ▶ Sink bowl has no internal welds
- ▶ Rounded interior corners easy for cleaning
- ▶ Sink bottom angled to drainage
- ▶ Hand polished finish
- ▶ Accommodates 3-1/2" drain
- ▶ Front and back rim 1-1/8", side rims 1"
- ▶ Drain sold separately
- ▶ Patina applied to copper using French hot process
- ▶ Copper is a living finish and will patina over time

## Finish:

**AC** Antique Copper



Dimensions of fixture are nominal and may vary within the range of tolerances established by ANSI Standard A112.19.2. Dimensions and specifications subject to change without notice.