

L 636 - Lucette Framed Sliding Door

Features:

- Choice of 5/32" clear or spraylite/obscure glass fully, glazed and framed for this model.
- Fillers available for wall or base outages greater than 3/16".
- Round and crown header option available.
- Easy to clean bottom track.
- Vinyl wall seals eliminate the need for caulking.
- Adjustable rollers with ball bearings and nylon tires.

Configurations:

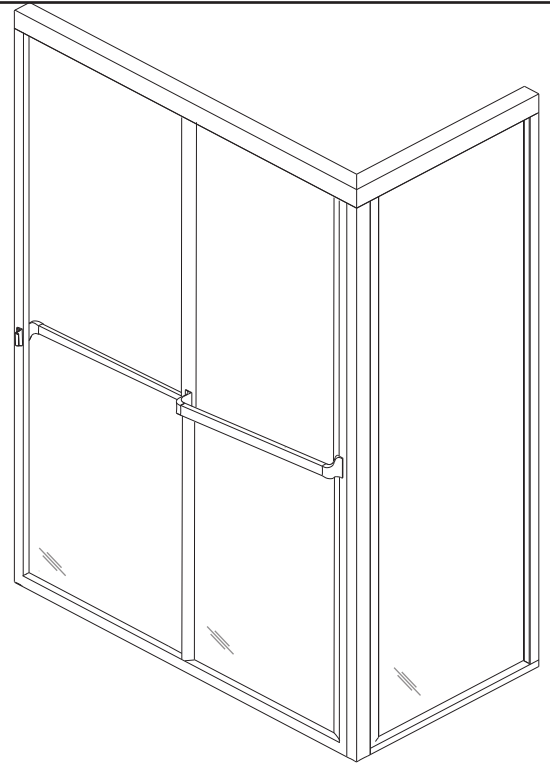
- Consists of two sliding doors and one return panel.

Glass coating option:

- Diamon-Fusion treatment helps protect the build up of soap scum and hard water deposits and reduces cleaning time by 50%. Simply wipe down with a washcloth or squeegee after showering.

Codes/Standards

Tempered Glass
ANSI Z97.1
16 CFR 1201



• Material

High polished anodized aluminum.

• Colors

Available in Polished Chrome, Satin Nickel, Gold, Painted colors.

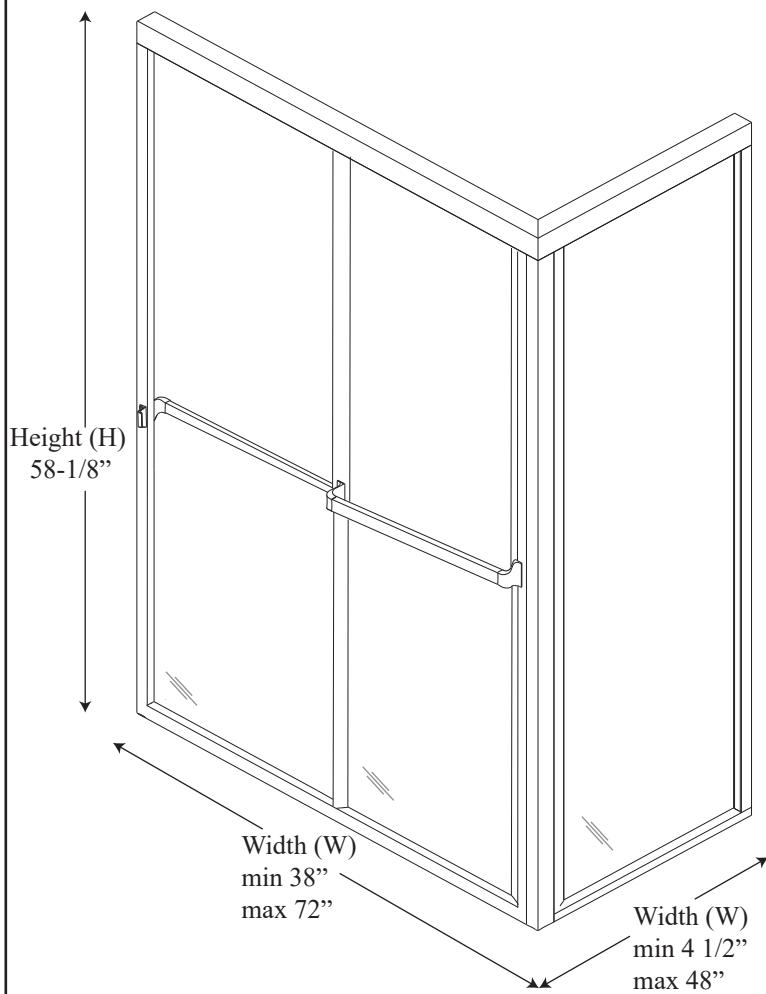
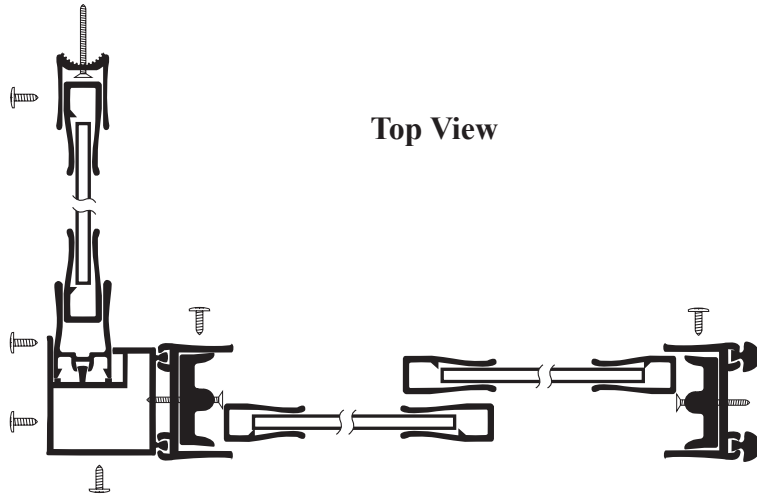
• Century Bathworks 3 year Limited Warranty

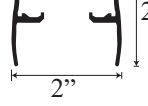
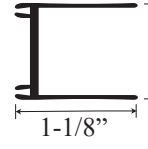
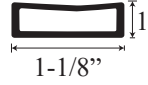

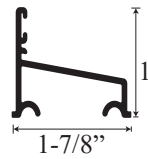
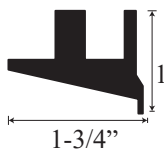
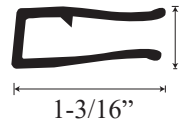
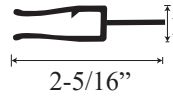
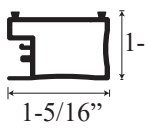
See website or call for detailed information.

• Specifications

Model Number:	L-636
Door Type:	Two sliding doors and one return panel
Opening Style:	Sliding
Opening widths:	38"- 72"
Stock Glass Door:	19"- 36"
Walk through:	16 1/2"- 33 1/2", based stock glass door
Glass thickness:	5/32"
Assembly:	Read installation guide
Country of origin:	United States of America

L 636 - Lucette Framed Sliding Door



- Header →  2-1/4"
2"
- Wall channel upright →  1-7/8"
1-1/8"
- Towel bar →  15/32"
1-1/8"
- Rubber bumpers →  1"
1-11/16"
- Door track →  1-1/8"
1-7/8"
- Track guide →  1-1/8"
1-3/4"
- Glass side and bottom frame →  1/2"
1-3/16"
- Glass top door frame →  1/2"
2-5/16"
- Corner channel upright →  1-13/16"
1-5/16"