

PRODUCT SPECIFICATIONS

Elkay Single Hole Concealed Deck Metered Lavatory Faucet with Cast Fixed Spout Push Button Handle Chrome. Faucet is made of Chrome-plated Brass material, with a Ceramic Disc valve. Faucet requires 1 faucet holes.

Mounting Type:	Deck Mount
Special Features:	Solid Brass Waterway Construction Vandal-resistant Aerator with Key
Finish:	Chrome (CR)
Handle Type:	Push Button
Deck Clearance:	1-3/4"
Spout Reach:	4-1/8"
Spout Height:	4-1/8"
Hole Drillings:	1
Material:	Chrome-plated Brass
Valve Type:	Ceramic Disc
Valve Connection:	1/2"-14 NPSM
Flow Rate:	
Countertop Thickness:	1-3/8
Spout Swing Rotation:	0°
Spout Type:	Fixed Spout

Special Note: Self-closing metering ceramic cartridge. Flow Rate: 0.25 gal/cycle.



Chrome (CR)



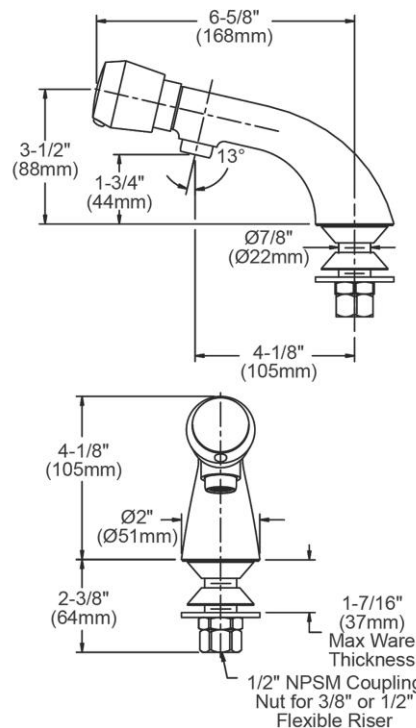
AMERICAN PRIDE. A LIFETIME TRADITION.
Like your family, the Elkay family has values and traditions that endure. For almost a century, Elkay has been a family-owned and operated company, providing thousands of jobs that support our families and communities.

Product Compliance: ADA & ICC A117.1
ASME A112.18.1/CSA B125.1
NSF 61
NSF 372 (lead free)



Complies with ADA & ICC A117.1 accessibility requirements when installed according to the requirements outlined in these standards.

[Clean and Care Manual \(PDF\)](#)
[Installation Instructions \(PDF\)](#)
[Limited Warranty \(PDF\)](#)



PART: _____ QTY: _____

PROJECT: _____

CONTACT: _____

DATE: _____

NOTES: _____

APPROVAL: _____

In keeping with our policy of continuing product improvement, Elkay reserves the right to change product specifications without notice. Please visit elkay.com for the most current version of Elkay product specification sheets. This specification describes an Elkay product with design, quality, and functional benefits to the user. When making a comparison of other producers' offerings, be certain these features are not overlooked.