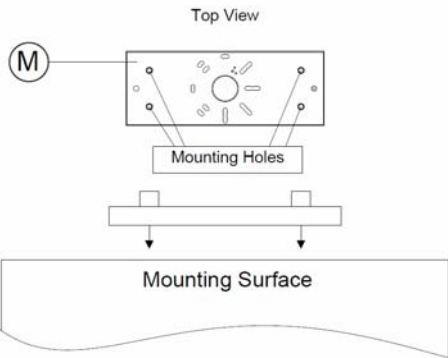


Assembly Instructions

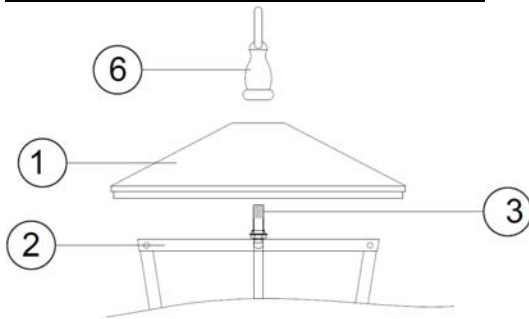
Item No. 1437



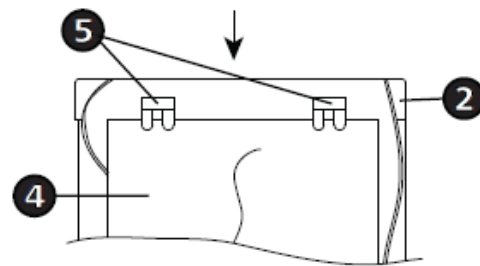
Drawing 1 – Fixture Mounting



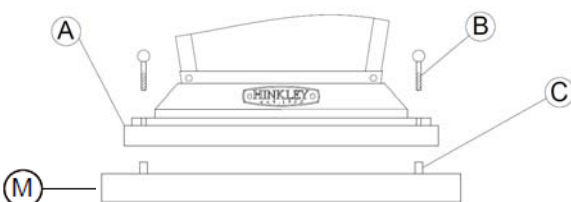
Drawing 2 – Glass Installation



Drawing 3 – Glass Installation



Drawing 4 – Fixture Installation



1

1. Find a clear area in which you can work.
2. Unpack Fixture and glass from carton.
3. Carefully Review Instructions Prior to assembly.

*** The construction of this fixture will be accomplished by first assembling the main body of the fixture, installing the glass, attaching the mounting strap to the junction box, making all necessary electrical connections, mounting the fixture to the pier.

2

1. To install mounting bracket (M), determine location where mounting bracket is to be attached and mark hole location. - see **Drawing 1**.
2. Make sure mounting bracket is installed so fixture is position correctly when installed.
3. NOTE: It is up to customer to supply appropriate fasteners for attaching mounting bracket.

3

1. To install glass it is necessary to first remove the decorative knob (6), then the roof (1) from the fixture cage (2). - see **Drawing 2**.
2. This is accomplished by lifting the roof off of the threaded nipple (3) from the top of the fixture.

4

1. To install glass, slip glass panel (4) through top of cage (2) - see **Drawing 3**.
2. Position glass (4) between glass clips (5) and fold over clips to secure glass in fixture cage.
3. Fixture can be installed at this time.

SAFETY WARNING: READ WIRING AND GROUNDING INSTRUCTIONS (I.S. 18) AND ANY ADDITIONAL DIRECTIONS. TURN POWER SUPPLY OFF DURING INSTALLATION. IF NEW WIRING IS REQUIRED, CONSULT A QUALIFIED ELECTRICIAN OR LOCAL AUTHORITIES FOR CODE REQUIREMENTS.

5

Make electrical connections from supply wire to fixture lead wires. Refer to instruction sheet (I.S. 18) and follow all instructions to make all necessary wiring connections. Then refer back to this sheet to continue installation of this fixture.

6

1. To mount fixture slip base (A) over previously installed mounting bracket (M), making sure to line up screw sleeves (C) in base with threaded knobs (B) in mounting bracket (M), make sure no wires are pinched after slipping base over mounting bracket - see **Drawing 4**.
2. Make sure the threaded knobs (B) are tightened to secure the fixture.
3. Fixture can be lamped accordingly at this time.
4. Replace roof (1) and slide over the threaded nipple (3) and finish reassembly by threading the decorative knob (6) back onto the threaded nipple.
5. Fixture is complete and power can be restored.

Drawing 1 - Flush Mount



Drawing 2 - Chain Hung



Drawing 3 - Post-Mount



SAFETY WARNING: READ WIRING AND GROUNDING INSTRUCTIONS (I.S. 18) AND ANY ADDITIONAL DIRECTIONS. TURN POWER SUPPLY OFF DURING INSTALLATION. IF NEW WIRING IS REQUIRED, CONSULT A QUALIFIED ELECTRICIAN OR LOCAL AUTHORITIES FOR CODE REQUIREMENTS.

wiring instructions

Indoor Fixtures

1. Connect positive supply wire **(A)** (typically black or the smooth, unmarked side of the two-conductor cord) to positive fixture lead **(B)** with appropriately sized twist on connector - see **Drawings 1 or 2**.
2. Connect negative supply wire **(C)** (typically white or the ribbed, marked side of the two-conductor cord) to negative fixture lead **(D)**.
3. Please refer to the **grounding instructions** below to complete all electrical connections.

Outdoor Fixtures

1. Connect positive supply wire **(A)** (typically black or the smooth unmarked side of the two-conductor cord) to positive fixture lead **(B)** with appropriately sized twist on connector - see **Drawings 2 or 3**.
2. Connect negative supply wire **(C)** (typically white or the ribbed, marked side of the two-conductor cord) to negative fixture lead **(D)**.
3. Cover open end of connectors with silicone sealant to form a watertight seal.
 - If installing a wall mount fixture, use caulk to seal gaps between the fixture mounting plate (backplate) and the wall. This will help prevent water from entering the outlet box. If the wall surface is lap siding, use caulk and a fixture mounting platform specially.
4. Please refer to the **grounding instructions** below to complete all electrical connections.

grounding instructions

Flush Mount Fixtures

For positive grounding in a 3-wire electrical system, fasten the fixture ground wire **(E)** (typically copper or green plastic coated) to the fixture mounting strap **(1)** with the ground screw **(2)** - see **Drawing 1**.

Note: On straps for screw supported fixtures, first install the two mounting screws in strap. Any remaining tapped hole may be used for the ground screw.

Chain Hung Fixtures

Loop fixture ground wire **(E)** (typically copper or green plastic coated) under the head of the ground screw **(2)** on fixture mounting strap **(1)** and connect to the loose end of the fixture ground wire directly to the ground wire of the building system with appropriately sized twist-on connectors - see **Drawing 2**.

Post-Mount Fixtures

Connect fixture ground wire **(E)** (typically copper or green plastic coated) to power supply ground with appropriately sized twist-on connector inside post. Cover open end of connector with silicone sealant to form a watertight seal - see **Drawing 3**.