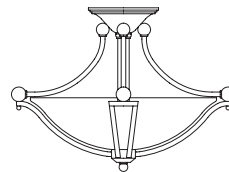
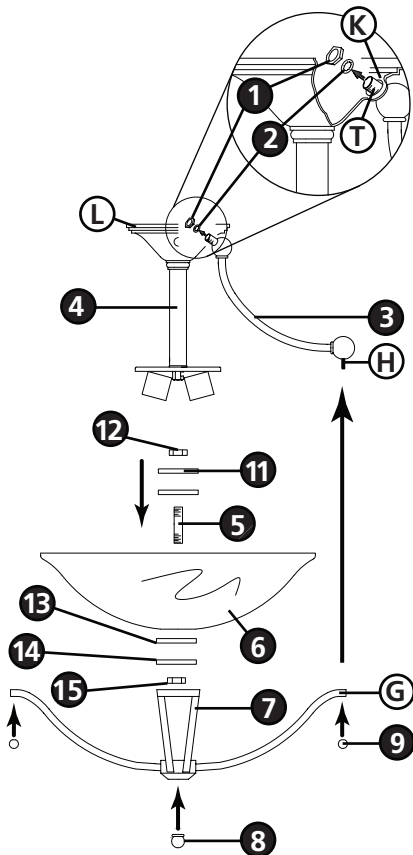


Family: Bolla | Item No. 4651

T24 JA8-2016



**Drawing 1 - Fixture Assembly**



▼ start here

**1**

1. Find a clear area in which you can work.
2. Unpack fixture and glass from carton.
3. Carefully review instructions prior to assembly.

\*\*\* The construction of this fixture will be accomplished by first assembling the main body of the fixture, making all necessary electrical connections, hanging the fixture from the ceiling, and then installing the glass.

**2**

1. To assembly main center column of this fixture, take arm (3) and slip threaded tube (T), at top of arm, through hole (K) located in fixture canopy (L) - see Drawing 1.
2. Slip lockwasher (2) over end of threaded tube (T) and thread on hex nut (1), align arm vertically and tighten.

**3**

1. To begin installation of the fixture, prepare gem strap (A), for mounting, by threading two screws (B), provided, into back of gull wing bracket of gem strap (A) - see Drawing 2.
  - Be sure the holes into which the screws are threaded match the spacing of holes (D) in the canopy (E) - see Drawings 2 and 3.
2. Mount gem strap (A) to junction box (J), using the two screws (C) **not provided**.
3. After gem strap (A) is installed main center column, previously assembled can be mounted to the ceiling.

**SAFETY WARNING: READ WIRING AND GROUNDING INSTRUCTIONS (I.S. 18) AND ANY ADDITIONAL DIRECTIONS. TURN POWER SUPPLY OFF DURING INSTALLATION. IF NEW WIRING IS REQUIRED, CONSULT A QUALIFIED ELECTRICIAN OR LOCAL AUTHORITIES FOR CODE REQUIREMENTS.**

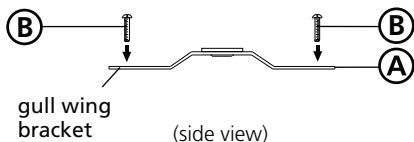
**4**

1. After wiring is completed, mount fixture to the ceiling by slipping the holes (D) in the ceiling pan (1) over the screws (B), previously threaded into mounting strap (A) - see Drawing 3.

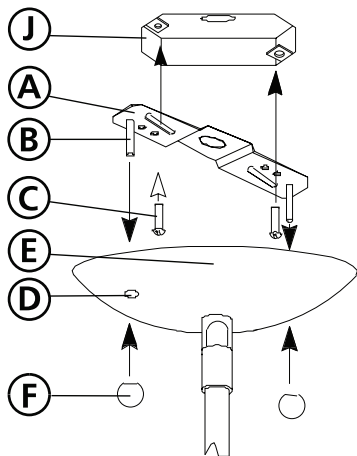
**5**

1. Prior to installing glass, fixture can now be lamped.
2. To install glass first thread hex nut (12) onto end of threaded tube (5), approx. 3/8" - see Drawing 1.
3. Slip steel washer (11) followed by plastic washer (12) onto threaded tube (5).
4. Slip threaded tube (5) with hex nut and washers through center hole of glass (6).
5. Slip plastic washer (13) over threaded tube (5) followed by steel washer (14) and thread on hex nut (15) and tighten to secure.
6. Slip threaded tube (5) through center hole of arm assembly (7).
7. Thread decorative ball knob (8) onto end of threaded tube (5) to secure lower arm assembly to glass.
8. To attach glass to fixture body by aligning holes (G) in end of arm with studs (H) in end of arms (3). Slip studs through holes in arm and thread on ball knobs (9) to secure glass to fixture.

**Drawing 2 - Strap Detail**



**Drawing 3 - Fixture Mounting**



**Drawing 1 - Flush Mount**



**Drawing 2 - Chain Hung**



**Drawing 3 - Post-Mount**



**SAFETY WARNING: READ WIRING AND GROUNDING INSTRUCTIONS (I.S. 18) AND ANY ADDITIONAL DIRECTIONS. TURN POWER SUPPLY OFF DURING INSTALLATION. IF NEW WIRING IS REQUIRED, CONSULT A QUALIFIED ELECTRICIAN OR LOCAL AUTHORITIES FOR CODE REQUIREMENTS.**

## wiring instructions

### Indoor Fixtures

1. Connect positive supply wire **(A)** (typically black or the smooth, unmarked side of the two-conductor cord) to positive fixture lead **(B)** with appropriately sized twist on connector - see **Drawings 1 or 2**.
2. Connect negative supply wire **(C)** (typically white or the ribbed, marked side of the two-conductor cord) to negative fixture lead **(D)**.
3. Please refer to the **grounding instructions** below to complete all electrical connections.

### Outdoor Fixtures

1. Connect positive supply wire **(A)** (typically black or the smooth unmarked side of the two-conductor cord) to positive fixture lead **(B)** with appropriately sized twist on connector - see **Drawings 2 or 3**.
2. Connect negative supply wire **(C)** (typically white or the ribbed, marked side of the two-conductor cord) to negative fixture lead **(D)**.
3. Cover open end of connectors with silicone sealant to form a watertight seal.
  - If installing a wall mount fixture, use caulk to seal gaps between the fixture mounting plate (backplate) and the wall. This will help prevent water from entering the outlet box. If the wall surface is lap siding, use caulk and a fixture mounting platform specially.
4. Please refer to the **grounding instructions** below to complete all electrical connections.

## grounding instructions

### Flush Mount Fixtures

For positive grounding in a 3-wire electrical system, fasten the fixture ground wire **(E)** (typically copper or green plastic coated) to the fixture mounting strap **(1)** with the ground screw **(2)** - see **Drawing 1**.

Note: On straps for screw supported fixtures, first install the two mounting screws in strap. Any remaining tapped hole may be used for the ground screw.

### Chain Hung Fixtures

Loop fixture ground wire **(E)** (typically copper or green plastic coated) under the head of the ground screw **(2)** on fixture mounting strap **(1)** and connect to the loose end of the fixture ground wire directly to the ground wire of the building system with appropriately sized twist-on connectors - see **Drawing 2**.

### Post-Mount Fixtures

Connect fixture ground wire **(E)** (typically copper or green plastic coated) to power supply ground with appropriately sized twist-on connector inside post. Cover open end of connector with silicone sealant to form a watertight seal - see **Drawing 3**.