

W3580201, W3580229, W3580249 - Vessel Filler

Description

- Tall vessel filler
- Metal lever handle
- Lift and turn ceramic disc cartridge
- 1.2 GPM @ 60 PSI

Standards

- Complies with IAPMO UPC/cUPC
- California AB1953 compliant
- NSF - 61-9 tested and compliant
- ADA Accessibility Guidelines for Buildings and Facilities - 4.27.4 Controls and Mechanisms
- CALGreen compliant
- EPA WaterSense Certified by IAPMO R&T



Colors / Finishes

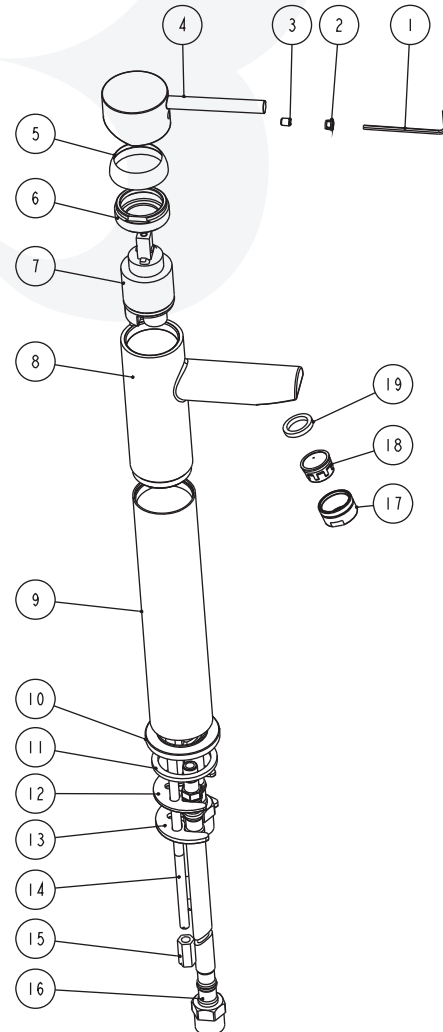
- W3580201 - Chrome
- W3580229 - Satin Nickel
- W3580249 - Matte Black

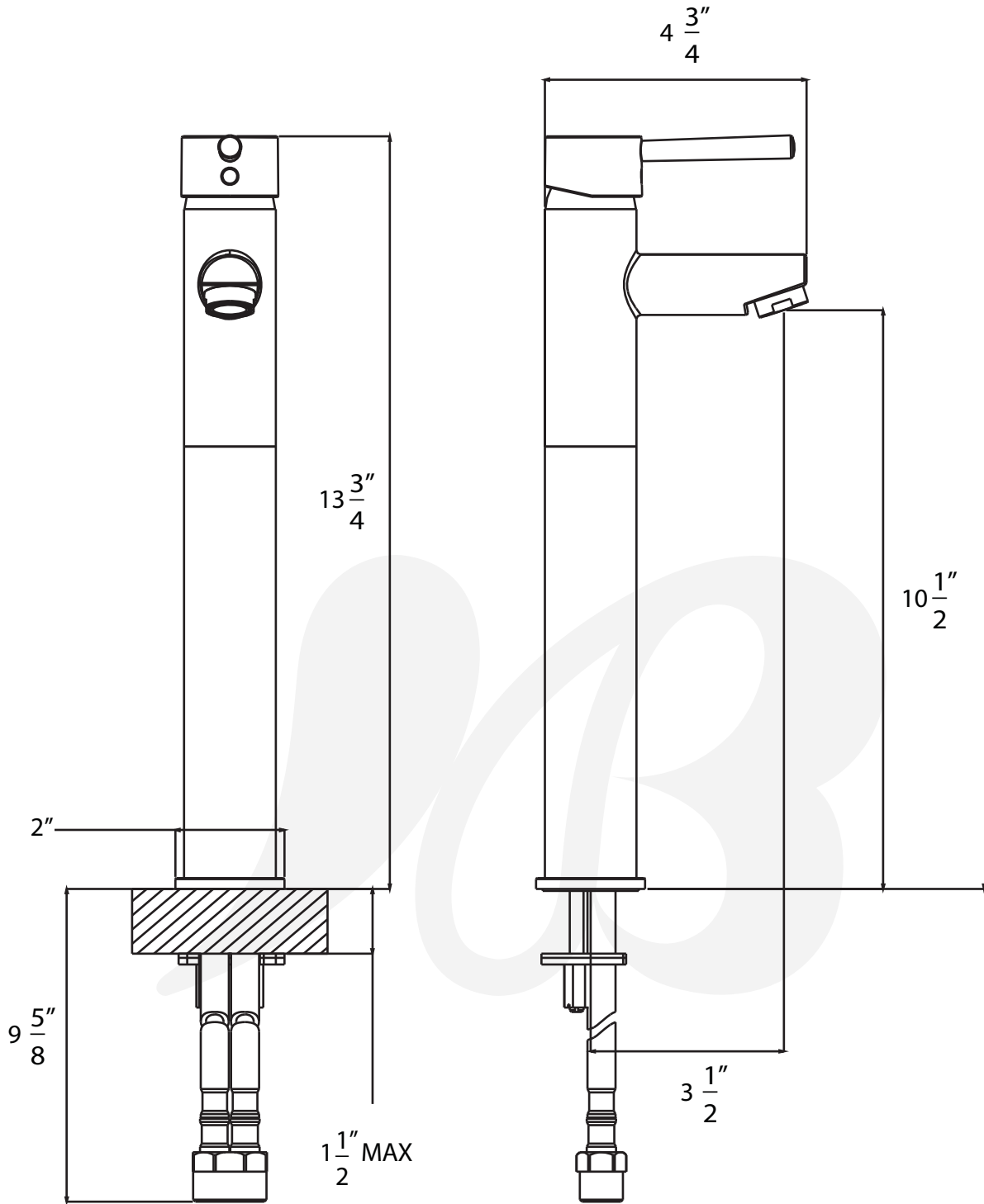


• W3580201

**BREAK DOWN
Component Parts List**

NO.	Part No	Qty
01	CCQT0002	1
02	CTCP0072	1
03	CTST0117	1
04	CTHZ0281	1
05	CTCP0366	1
06	CTKB0107	1
07	ATBA0134	1
08	CTYN0041	1
09	ATBP0221	1
10	CTDB0287	1
11	CTWR0025	1
12	CTWR0199	1
13	CTKL0001	1
14	CTST0235	2
15	CTNB0063	2
16	ATBP0062	2
17	CTXB0053	1
18	ATBX0040	1
19	CTWR0254	1





Item Number	Type	Date
W3580201, W3580229, W3580249	Vessel Filler	9-30-2021