

**P6380001, P6380002 - Tub and Shower Trim**

**Description**

- Tub & shower trim kit
- "Reliaflo" metal lever handle
- 1 setting shower head
- 1.5 GPM ASME Compliant
- VALVE SOLD SEPARATELY

**Standards**

- Complies with IAPMO UPC/cUPC
- ADA Accessibility Guidelines for Buildings and Facilities - 4.2 74 Controls and Mechanisms
- CALGreen compliant
- EPA WaterSense Certified by IAPMO R&T
- California Energy Commission Listed



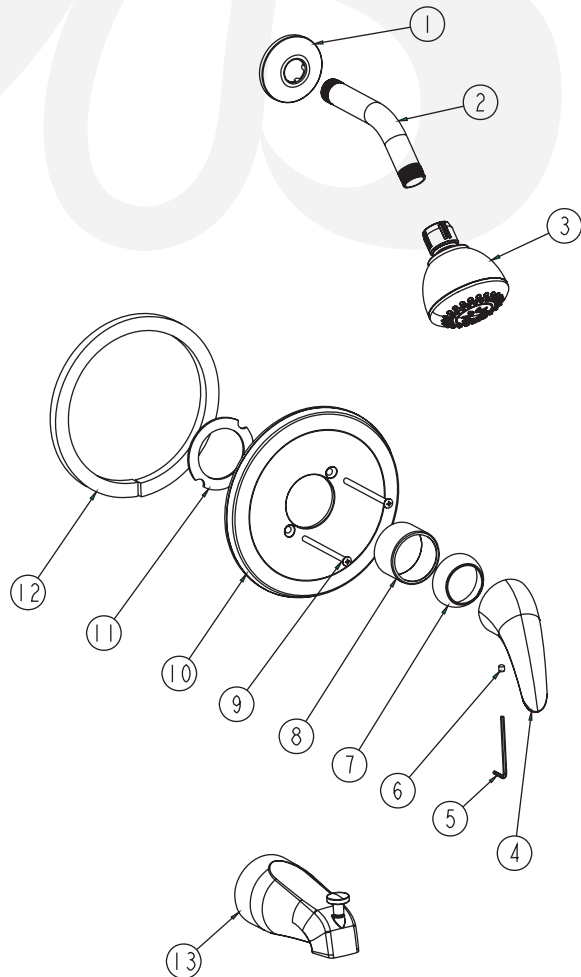
•P6380001

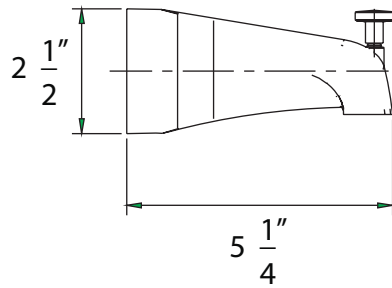
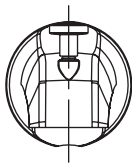
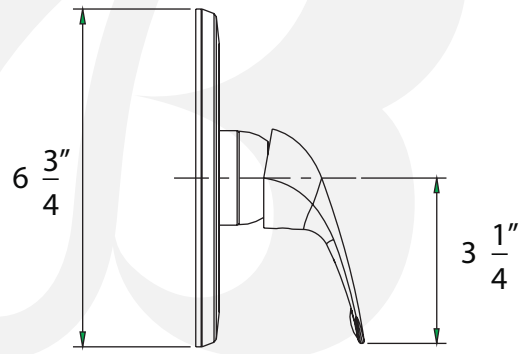
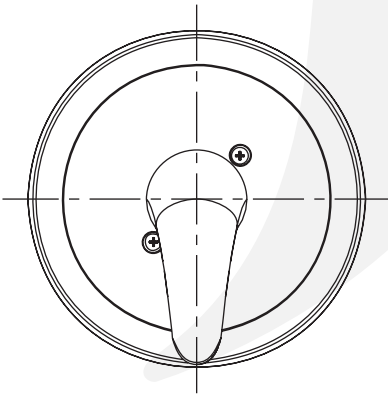
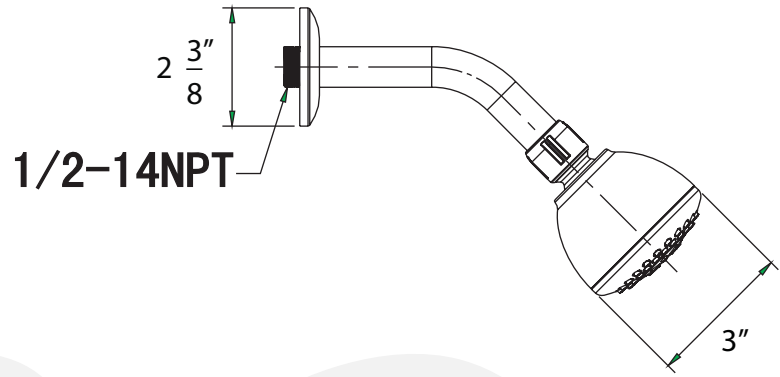
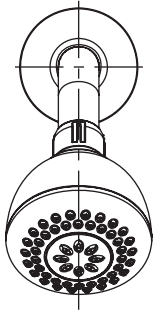
**Colors / Finishes**

- P6380001 - Chrome
- P6380002 - PVD Satin Nickel

**BREAK DOWN**

NO.	Part No	Qty	
		12610	12630
01	CTCT0043	1	1
02	CTPB0470	1	1
03	ATBE0094	1	1
04	CTHZ0312	1	1
05	CCQT0002	1	1
06	CTST4101	1	1
07	CTCP0192	1	1
08	CTCT0053	1	1
09	CTST0230	2	2
10	CTCT0052	1	1
11	CTWP0223	1	1
12	CTWP0192	1	1
13	ATBF0135		1





Item Number	Type	Date
P6380001, P6380002	Tub and Shower	3/23/2011