



## Features

- Manual flush valve for wall-hung urinals
- Chrome-plated housing
- Fits right or left hand supply
- Durable diaphragm with filtered fixed by-pass
- Chloramine resistant diaphragm
- ADA compliant metal non-hold-open handle with sealed handle package
- Vandal resistant torqued stop cap
- High back pressure vacuum break flush connection
- Spud coupling and flange for 1-1/2" top spud
- Chrome-plated copper casting resistant to dezincification
- 3/4" I.P.S. anglestop



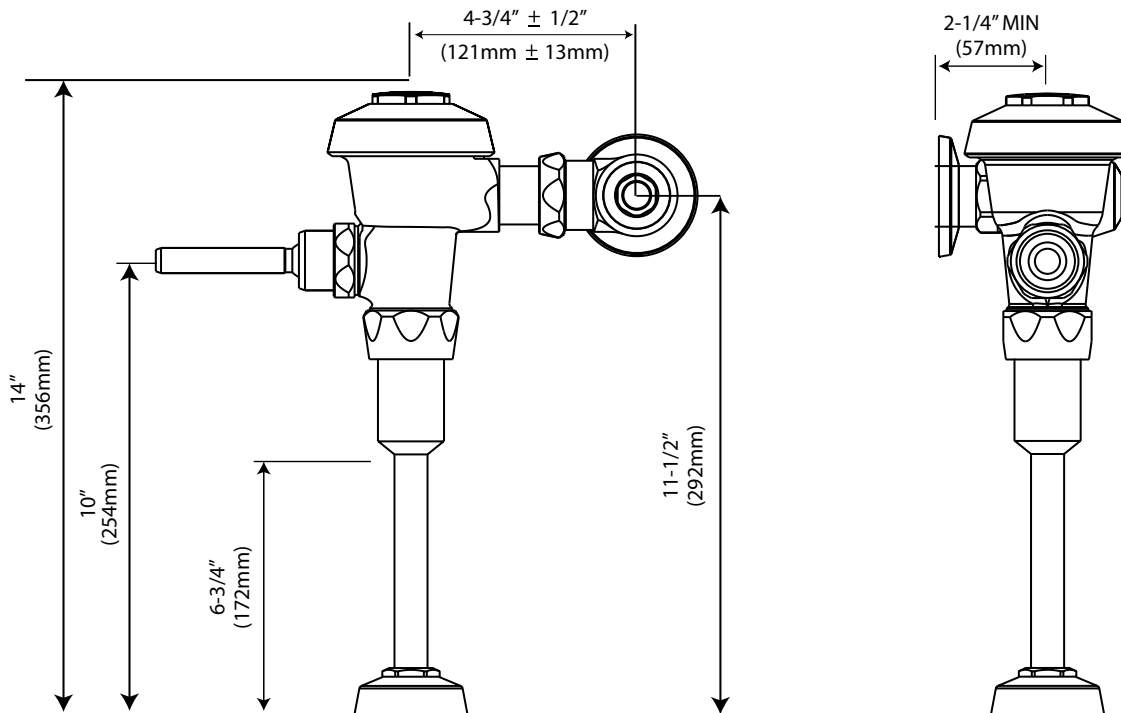
## Components

Model #	Description	Codes/Standards
FM-U8	Flushometer Valve for 1 pint Gpf urinals	 
FM-U1	Flushometer Valve for 1.0 Gpf urinals	
FM-U5	Flushometer Valve for 0.5 Gpf urinals	

## Specifications

Specification	Description	Specification	Description
Material	Brass Casting	Backflow Prevention	vacuum breaker/check valve
Plating	Chrome per ASTM B456	Water Type	potable cold water
Water Delivered	0.125 gpf or 0.5 gpf or 1.0 gpf	Shipping Weight	6.4 lbs.
Water Pressure Range	20 to 125 psi	Warranty	Limited Three Years

## Technical Information



See our complete line of acrylic and vitreous china bathroom fixtures, plastic tank trim and plumbing products.

These dimensions are nominal and are subject to change without prior notice.

Specifications meet ASSE-1037 standards.