



Buy it for looks. Buy it for life.®

# Specifications

### DESCRIPTION

- Various finishes identified by suffix
- Handshower
- 59" double interlock spiral hose (metal), for Chrome only
- 69" spiral hose used for Brushed Nickel and Oil Rubbed Bronze
- Double check valve in handle
- Adjustable wall bracket

### OPERATION

- Single function
- Wall bracket rotates to adjust angle of handshower

### FLOW

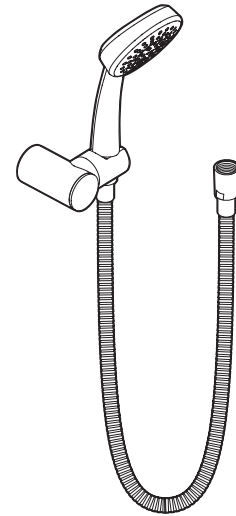
- Designed to deliver 2.5 gpm (9.5 L/min) max.
- EP suffix models are limited to 2.0 gpm (7.6 L/min) max for products manufactured prior to June 30, 2018. EP suffix models manufactured after June 30, 2018 are limited to 1.75 gpm (6.7 L/min) max.

### STANDARDS

- Designed and manufactured to comply with the applicable requirements of WaterSense®, ASME A112.18.1/CSA B-125.1, ASSE 1014 and all applicable specifications referenced therein
- EP suffix models are third party certified to WaterSense®

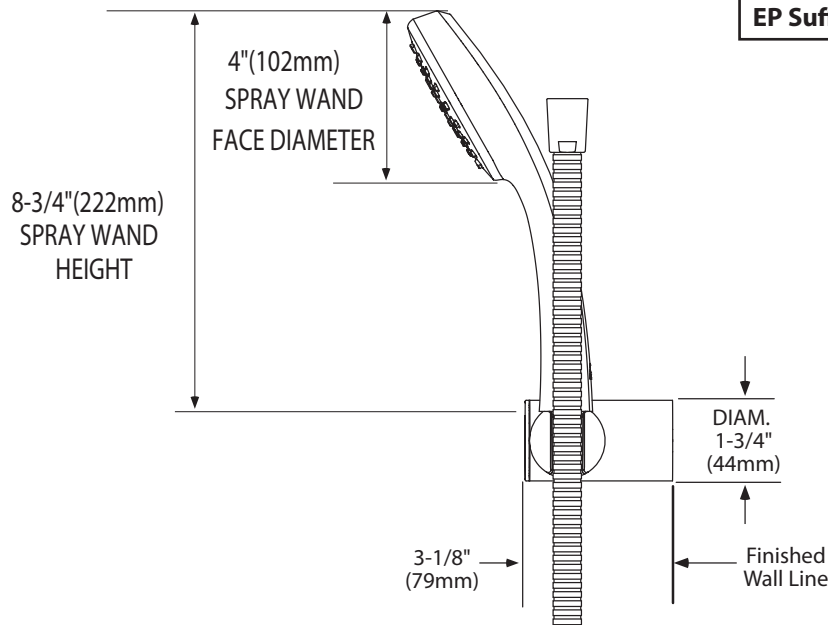
### WARRANTY

- Lifetime limited warranty against leaks, drips and finish defects to the original homeowner
  - 10 year limited warranty when used in a multifamily installation
  - 5 year limited warranty when used in a commercial installation
- Visit [www.moen.com/support](http://www.moen.com/support) for complete details and limitations



**Handshower  
with Bracket & Hose**

**Models: 3865 series**



### **CRITICAL DIMENSIONS**

(DO NOT SCALE)