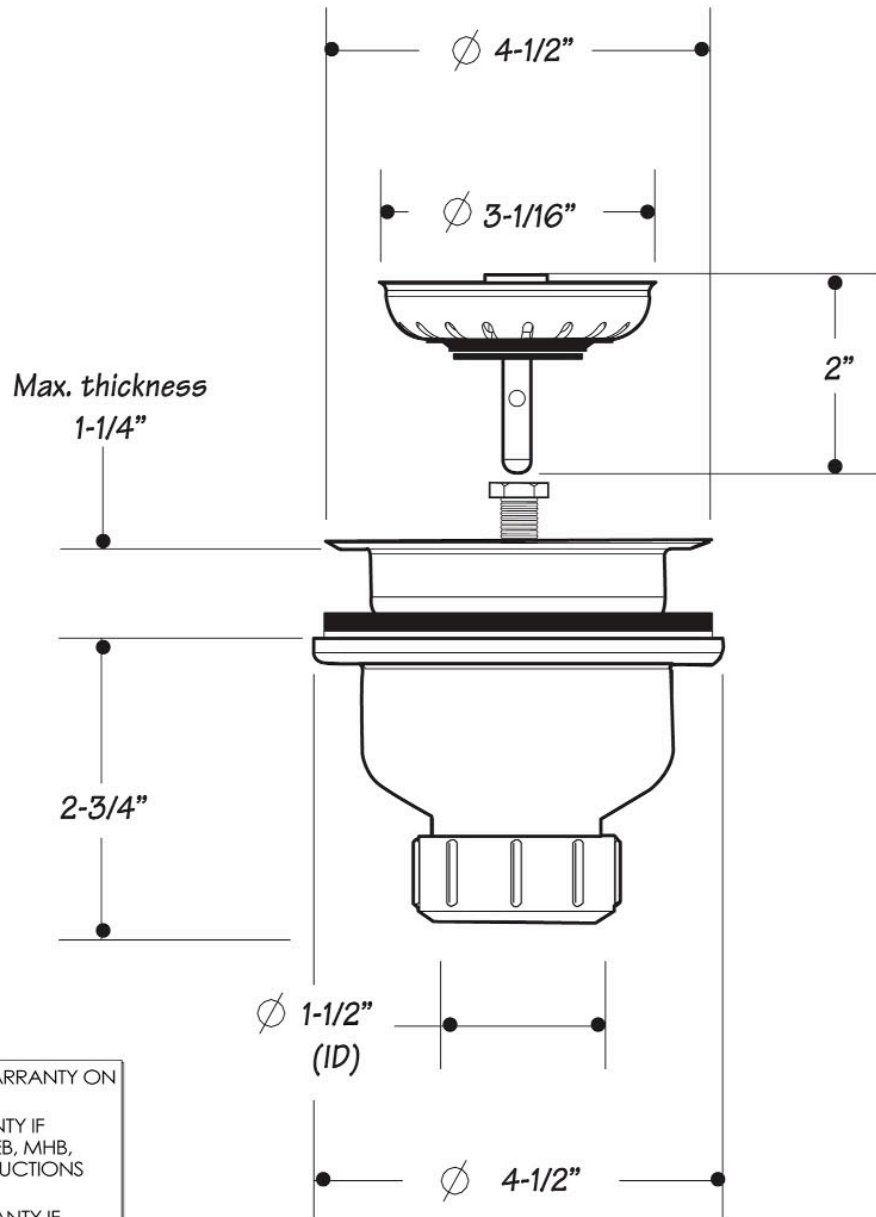


Kitchen Sink Strainer 3-1/2" Deluxe model with spring loaded center post

INSTALLATION DIMENSIONS

This model offers you the following features & benefits:

- Spring loaded center post for smooth operation
- Above sink installation
- For thicker applications order a longer ferrule Part# BDRFRL-55
- Plastic Available in 7 finishes
 - PS - Polished Stainless
 - PW - Polar White
 - IW - Ice White
 - KA - K-Almond
 - BT - Biscuit
 - BNE - Bone
 - BL - Black



Warranty

*ALL MOUNTAIN PRODUCTS CARRY A 1 YEAR WARRANTY ON ALL WORKING PARTS.(except disposers)

*MOST SPECIAL FINISHES HAVE A 1 YEAR WARRANTY IF INSTRUCTIONS ARE FOLLOWED PROPERLY. ORB, EB, MHB, WCP, AND TB HAVE A 90 DAY WARRANTY IF INSTRUCTIONS ARE FOLLOWED PROPERLY.

*ALL PVD FINISHES COME WITH A LIFETIME WARRANTY IF INSTRUCTIONS ARE FOLLOWED PROPERLY

*ALL XENYO COLORED PRODUCTS HAVE A LIFETIME WARRANTY

*USE OF PLUMBERS PUTTY ON PRODUCTS VOIDS WARRANTY