

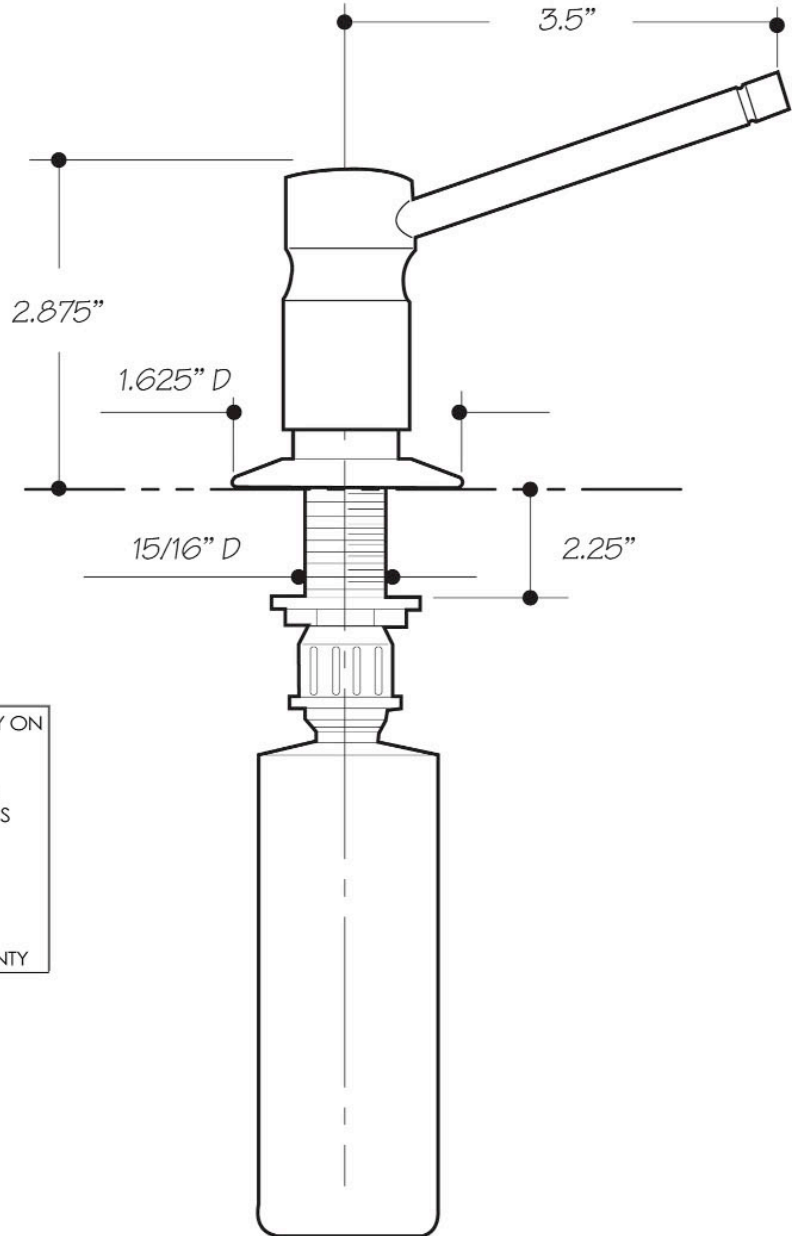
## INSTALLATION DIMENSIONS

**This model offers you the following features & benefits:**

- Teflon® Lined Spout
- 16 oz reservoir for liquid
- Easy above counter top fill
- Euro styling
- Available in 2 finishes
  - CPB - Polished Chrome
  - SS - Stainless Steel

### Warranty

\*ALL MOUNTAIN PRODUCTS CARRY A 1 YEAR WARRANTY ON ALL WORKING PARTS.(except disposers)  
 \*MOST SPECIAL FINISHES HAVE A 1 YEAR WARRANTY IF INSTRUCTIONS ARE FOLLOWED PROPERLY. ORB, EB, MHB, WCP, AND TB HAVE A 90 DAY WARRANTY IF INSTRUCTIONS ARE FOLLOWED PROPERLY.  
 \*ALL PVD FINISHES COME WITH A LIFETIME WARRANTY IF INSTRUCTIONS ARE FOLLOWED PROPERLY  
 \*ALL XENYO COLORED PRODUCTS HAVE A LIFETIME WARRANTY  
 \*USE OF PLUMBERS PUTTY ON PRODUCTS VOIDS WARRANTY



Manimum hole = 1-1/8"  
 Maximum hole = 1-3/8"

Specifications subject to change without notice.