



# NOVATTO

## NBF-084BN WAVE Waterfall Lav Faucet, Brushed Nickel

Requested By: \_\_\_\_\_

Specific Features: \_\_\_\_\_

### STANDARD SPECIFICATIONS:

- Single handle control
- Solid brass construction
- High pressure ceramic cartridge
- Single hole deck mount installation
- 1.5-inch mounting hole diameter
- cUPC and AB1953 low lead compliant
- ASME A112.18.1-1-2011/CSA B125.1-11
- NSF 61 and NSF 372 certified
- EPA WaterSense® available

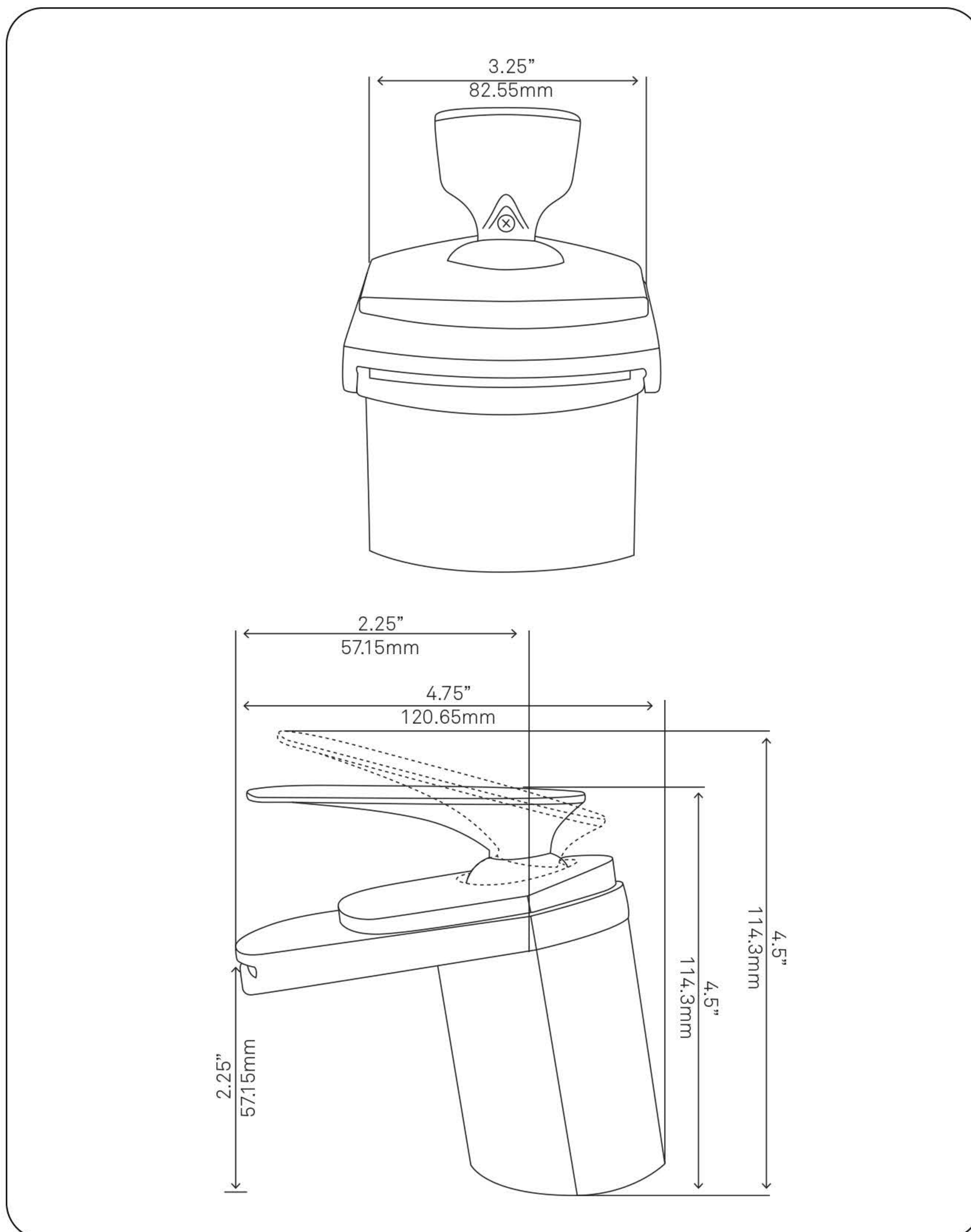
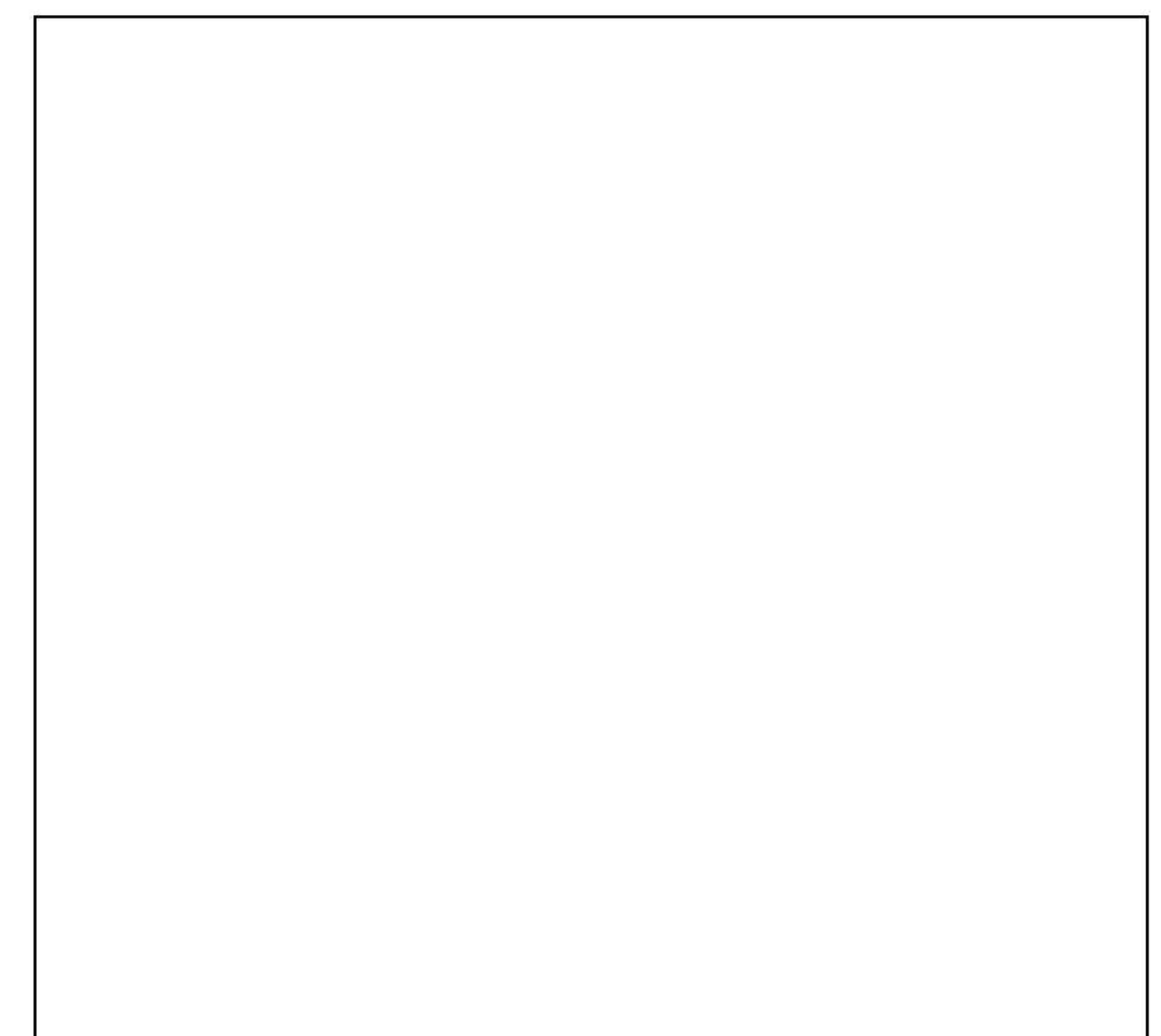
### WARRANTY:

- Limited lifetime warranty
- See [www.NovattoInc.com](http://www.NovattoInc.com) for details

### COORDINATING ACCESSORIES:

- PUD-BN pop-up drain
- Glacier Ice Restoration and Sealer kit

### NOTES



Novatto reserves the right (1) to make changes in specifications and materials, and (2) to change or discontinue models, both without notice or obligation. Dimensions are for reference only, see [www.NovattoInc.com](http://www.NovattoInc.com) for finish options and product availability.

Novatto Inc  
TOLL FREE 844.404.4242  
[www.NovattoInc.com](http://www.NovattoInc.com)