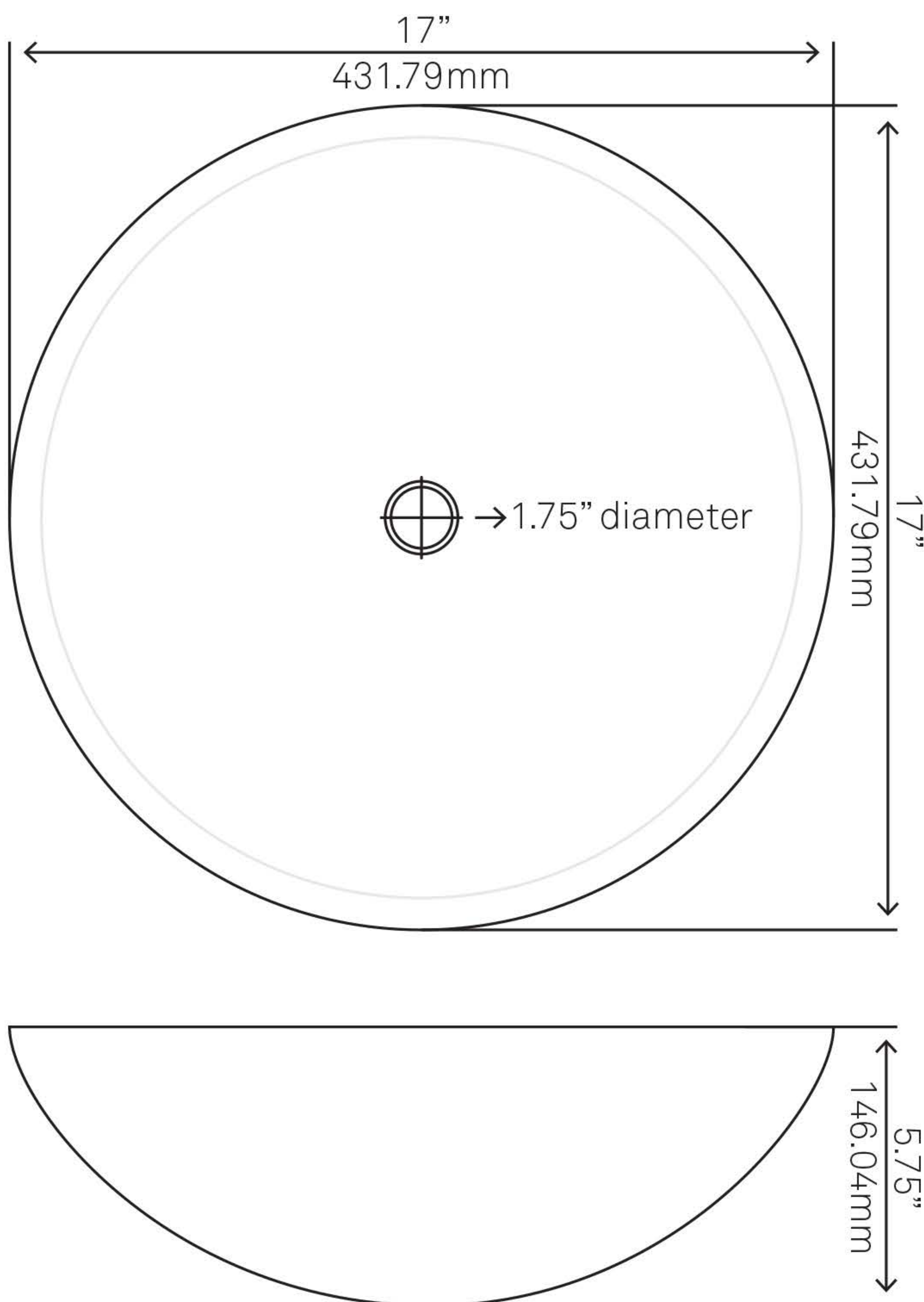




NOSV-GO
Green Onyx Vessel Sink

Requested By: _____

Specific Features: _____



STANDARD SPECIFICATIONS:

- Round onyx vessel sink
- Light green and brown tones
- Natural stone crafted by our artisans
- Above counter installation
- No overflow
- 5/8" thick
- No mounting ring necessary
- Standard U.S. plumbing connection

WARRANTY:

- Limited lifetime warranty
- See www.NovattoInc.com for details

COORDINATING ACCESSORIES:

- UPD-BN/CH/ORB umbrella drain
- Glacier Ice Restoration and Sealer kit

NOTES

Novatto reserves the right (1) to make changes in specifications and materials, and (2) to change or discontinue models, both without notice or obligation. Dimensions are for reference only, see www.NovattoInc.com for finish options and product availability.

Novatto Inc
 TOLL FREE 844.404.4242
www.NovattoInc.com