



# NOVATTO

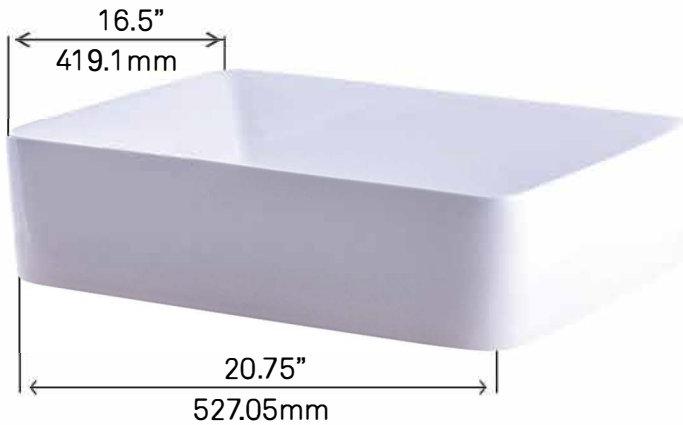
## NP-01321 MODERN Ceramic Vessel Sink

Requested By:

---

Specific Features:

---



### STANDARD SPECIFICATIONS:

- Bright white glossy ceramic vessel sink with no overflow
- Rectangle shape
- Scratch resistant and non-porous surface
- Designed for above counter installation
- Standard U.S. plumbing connections
- Dimensions 16.5 x 20.75 x 5.5-inches tall

### WARRANTY:

Limited lifetime warranty

- See [www.NovattoInc.com](http://www.NovattoInc.com) for details

### COORDINATING ACCESSORIES:

- PUD-BN/CH/ORB pop-up drain
- Glacier Ice Restoration and Sealer kit

### NOTES

Novatto reserves the right (1) to make changes in specifications and materials, and (2) to change or discontinue models, both without notice or obligation. Dimensions are for reference only, see [www.NovattoInc.com](http://www.NovattoInc.com) for finish options and product availability.

Novatto Inc  
TOLL FREE 844.404.4242  
[www.NovattoInc.com](http://www.NovattoInc.com)



**GF-136BN ECLIPSE  
Single Lever Vessel Faucet**

Requested By: \_\_\_\_\_

Specific Features: \_\_\_\_\_

**STANDARD SPECIFICATIONS:**

- Brushed nickel finish
- Single handle control
- Solid brass construction
- High pressure ceramic cartridge
- Single hole deck mount installation
- 1.5-inch diameter hole required
- Spout reach: 3.75-inches
- Spout height: 8-inches
- cUPC and AB1953 low lead compliant
- ASME A112.18.1-1-2011/CSA B125.1-11
- NSF 61 and NSF 372 certified
- EPA WaterSense® available

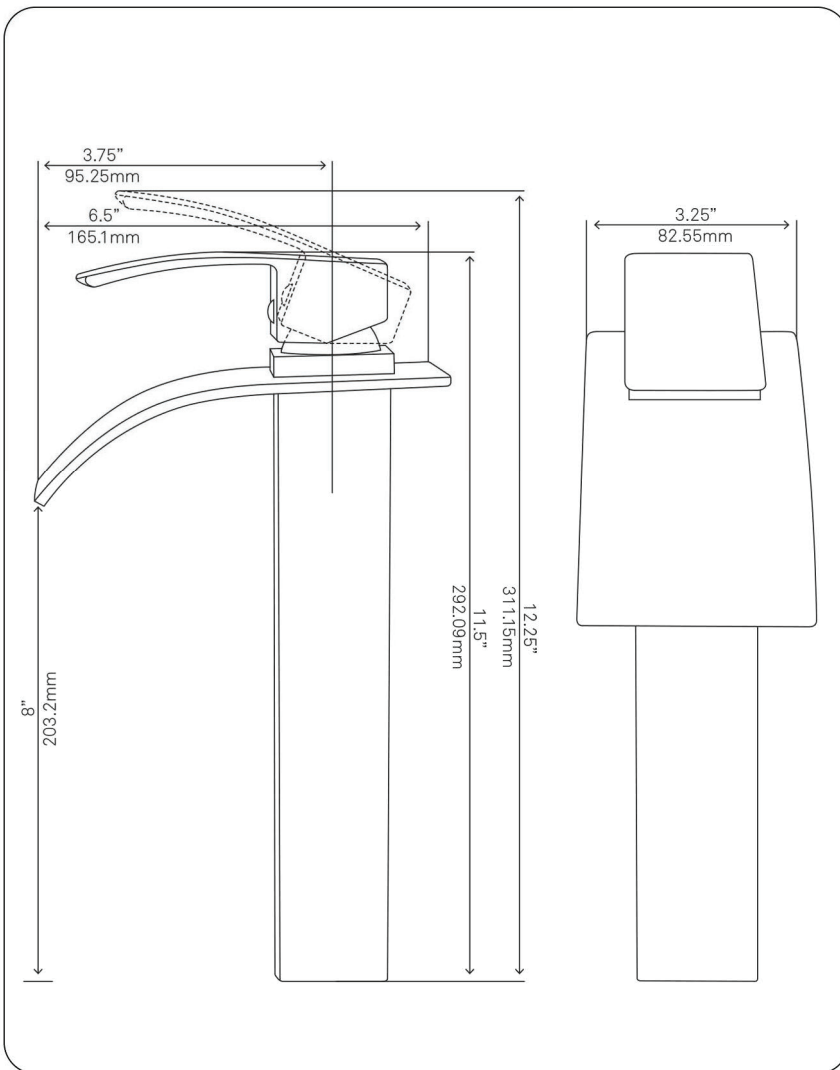
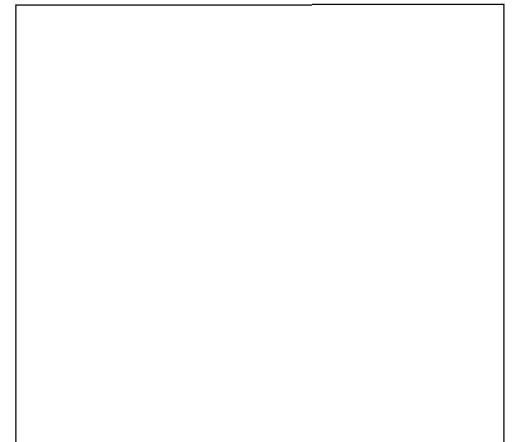
**WARRANTY:**

Limited lifetime warranty  
 • See [www.NovattoInc.com](http://www.NovattoInc.com) for details

**COORDINATING ACCESSORIES:**

- PUD-BN pop-up drain
- MR-001BN mounting ring
- Glacier Ice Restoration and Sealer kit

**NOTES**



Novatto reserves the right (1) to make changes in specifications and materials, and (2) to change or discontinue models, both without notice or obligation. Dimensions are for reference only, see [www.NovattoInc.com](http://www.NovattoInc.com) for finish options and product availability.

Novatto Inc  
 TOLL FREE 844.404.4242  
[www.NovattoInc.com](http://www.NovattoInc.com)



**PUD-BN**

**Vessel Sink Pop-Up Drain, Brushed Nickel**

Requested By: \_\_\_\_\_

Specific Features: \_\_\_\_\_

**STANDARD SPECIFICATIONS:**

- Pop-up vessel sink drain
- Brushed nickel finish
- Solid brass construction
- Includes rubber seals and fastener for installation
- 9-inches total length
- Fits any standard 1.75-inch drain opening
- cUPC

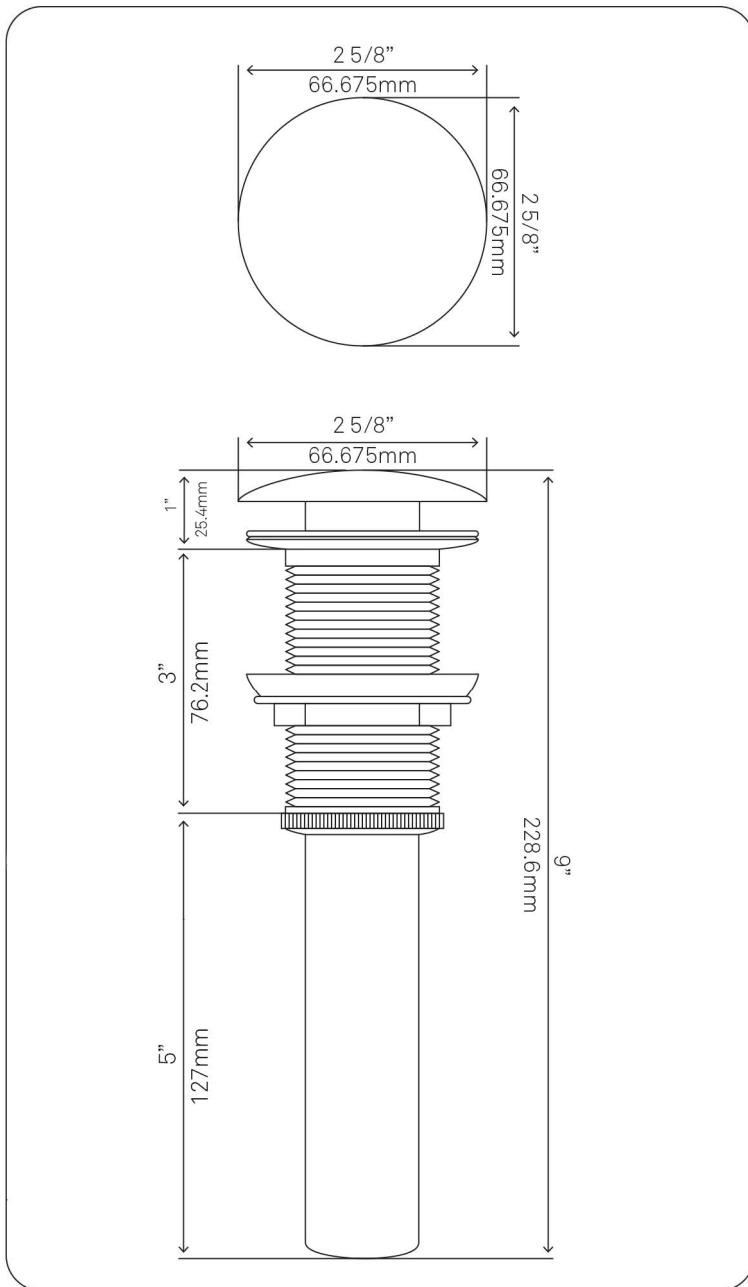
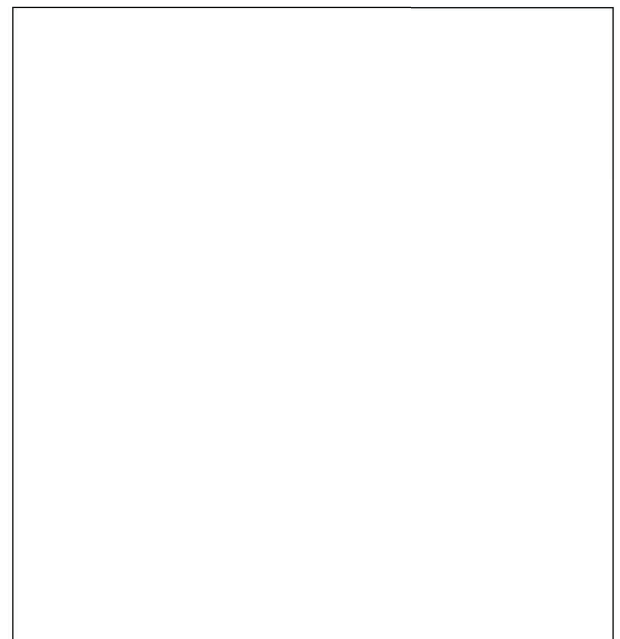
**WARRANTY:**

- Limited lifetime warranty
- See [www.NovattoInc.com](http://www.NovattoInc.com) for details

**COORDINATING ACCESSORIES:**

- Glacier Ice Restoration and Sealer kit
- Brush Nickle Mounting Ring

**NOTES**



Novatto reserves the right (1) to make changes in specifications and materials, and (2) to change or discontinue models, both without notice or obligation. Dimensions are for reference only, see [www.NovattoInc.com](http://www.NovattoInc.com) for finish options and product availability.

Novatto Inc  
TOLL FREE 844.404.4242  
[www.NovattoInc.com](http://www.NovattoInc.com)