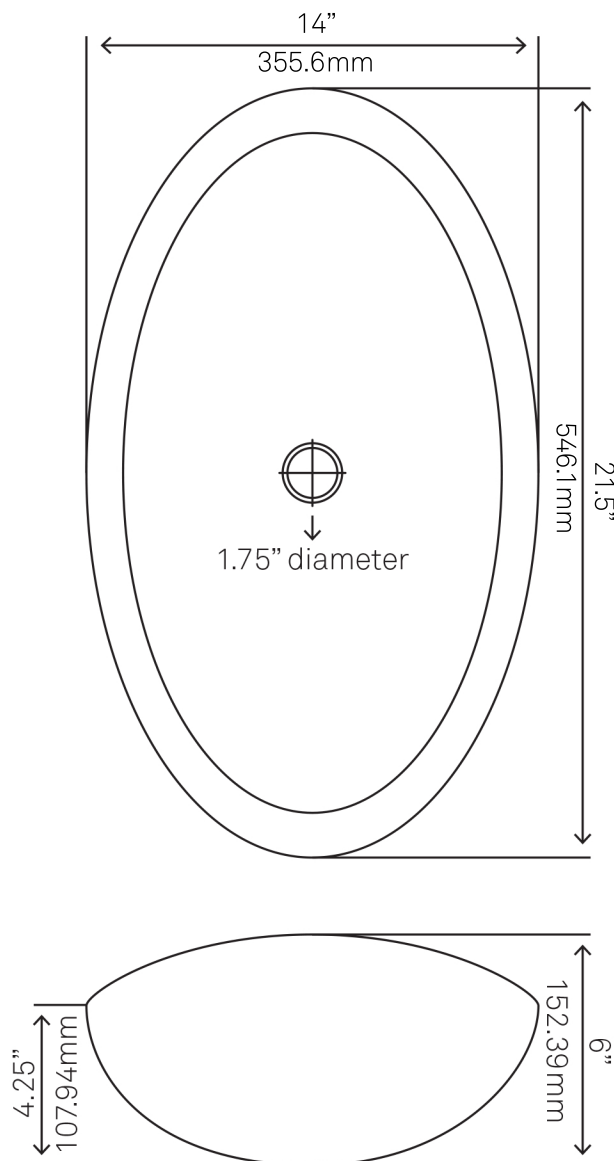
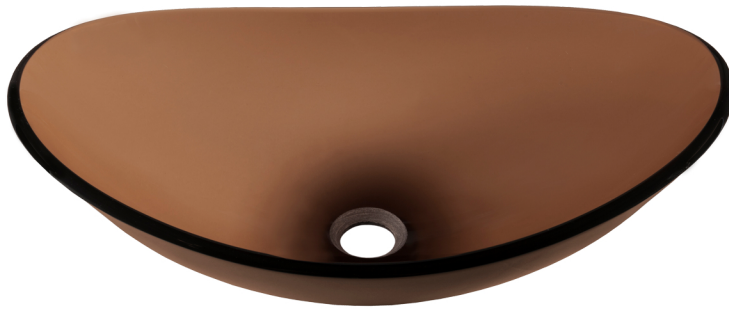




TIS-324T BABBUCCIA Clear Brown Glass Vessel Sink

Requested By: _____

Specific Features: _____



Novatto reserves the right (1) to make changes in specifications and materials, and (2) to change or discontinue models, both without notice or obligation. Dimensions are for reference only, see www.NovattoInc.com for finish options and product availability.

STANDARD SPECIFICATIONS:

- Oval slipper clear brown glass vessel
- Made with high tempered glass
- Scratch resistant and non-porous
- Designed for above counter installation
- Standard U.S. plumbing connections
- 1.75-inch drain opening
- No overflow

WARRANTY:

Limited lifetime warranty

- See www.NovattoInc.com for details

COORDINATING ACCESSORIES:

- PUD-BN/CH/ORB pop-up drain
- MR-001BN/CH/ORB
- Glacier Ice Restoration and Sealer kit

NOTES

Novatto Inc
TOLL FREE 844.404.4242
www.NovattoInc.com



PUD-ORB-MR Vessel Sink Pop-Up Drain and Mounting Ring, Oil Rubbed Bronze

Requested By: _____

Specific Features: _____



STANDARD SPECIFICATIONS:

- Clicker pop-up vessel sink drain and mounting ring
- Oil rubbed bronze finish
- Solid brass construction
- Includes rubber seals and fastener for installation
- 9-inches total pop-up length
- Fits any standard 1.75-inch drain opening
- cUPC

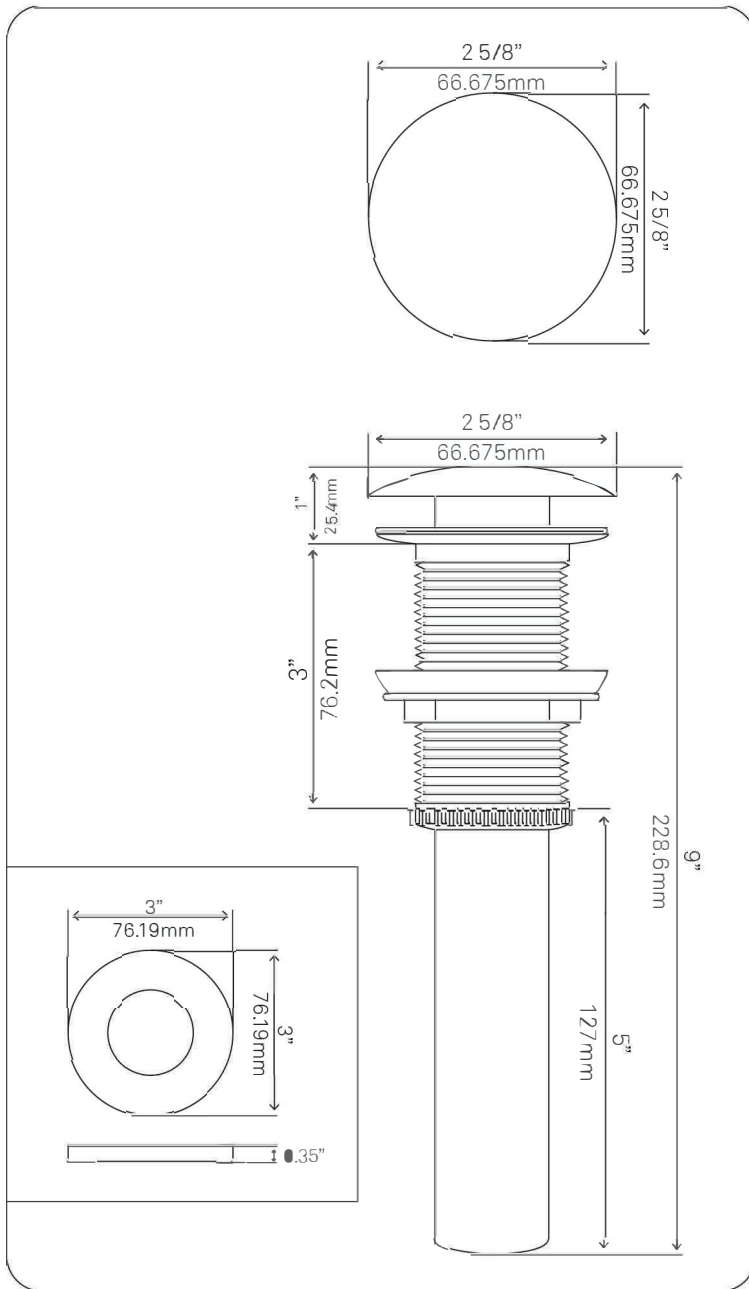
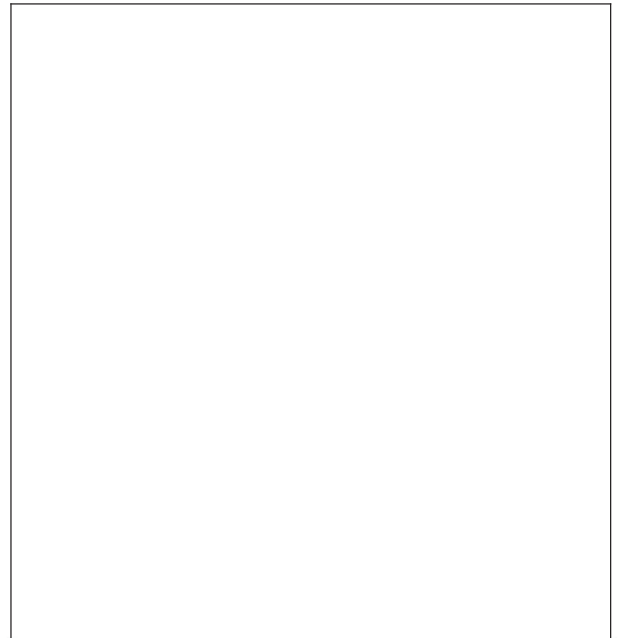
WARRANTY:

- Limited lifetime warranty
- See www.NovattoInc.com for details

COORDINATING ACCESSORIES:

- Glacier Ice Restoration and Sealer kit

NOTES



Novatto reserves the right (1) to make changes in specifications and materials, and (2) to change or discontinue models, both without notice or obligation. Dimensions are for reference only, see www.NovattoInc.com for finish options and product availability.

Novatto Inc
TOLL FREE 844.404.4242
www.NovattoInc.com



**GF-001ORB-T FALLS
Waterfall Vessel Faucet**

Requested By: _____

Specific Features: _____

STANDARD SPECIFICATIONS:

- Oil-rubbed bronze with tea colored glass
- Single handle control
- Solid brass construction
- High pressure ceramic cartridge
- Single hole deck mount installation
- 1.5-inch diameter hole required
- cUPC and AB1953 low lead compliant
- ASME A112.18.1-1-2011/CSA B125.1-11
- NSF 61 and NSF 372 certified
- EPA WaterSense® available

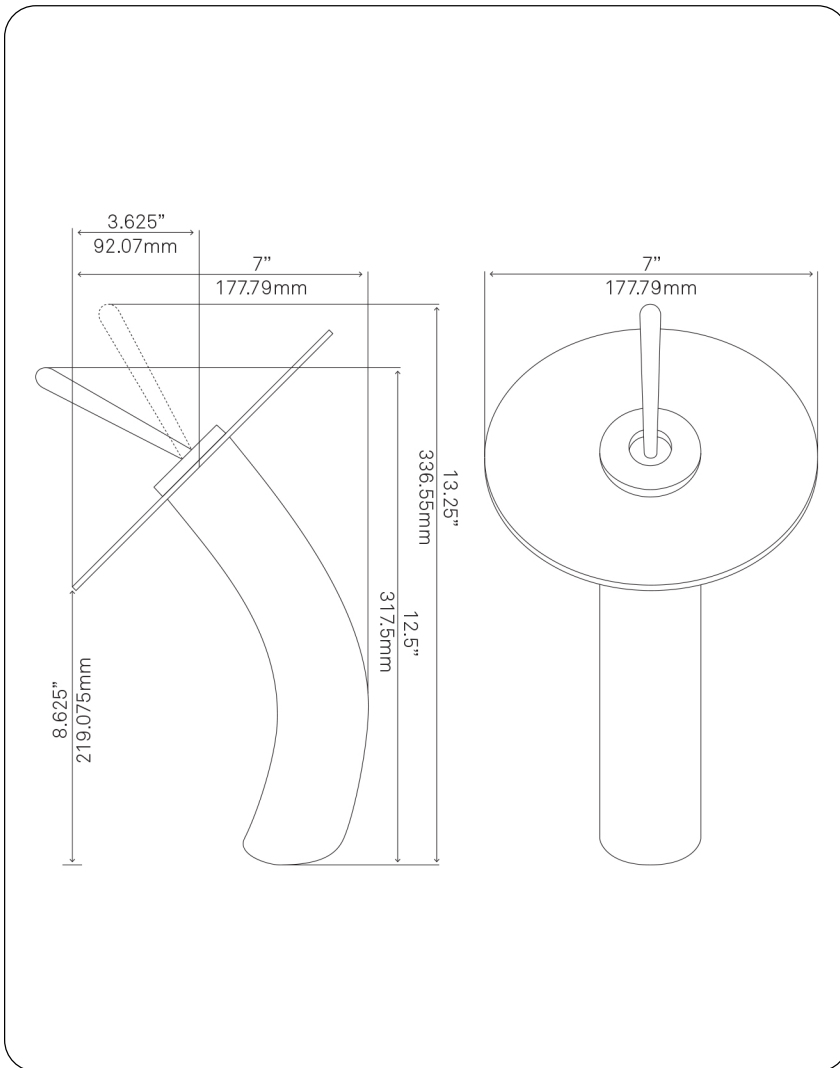
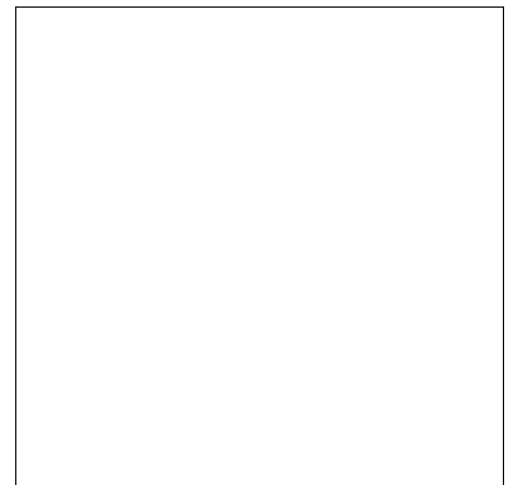
WARRANTY:

- Limited lifetime warranty
- See www.NovattoInc.com for details

COORDINATING ACCESSORIES:

- PUD-ORB pop-up drain
- MR-001ORB mounting ring
- Glacier Ice Restoration and Sealer kit

NOTES



Novatto reserves the right (1) to make changes in specifications and materials, and (2) to change or discontinue models, both without notice or obligation. Dimensions are for reference only, see www.NovattoInc.com for finish options and product availability.

Novatto Inc
TOLL FREE 844.404.4242
www.NovattoInc.com