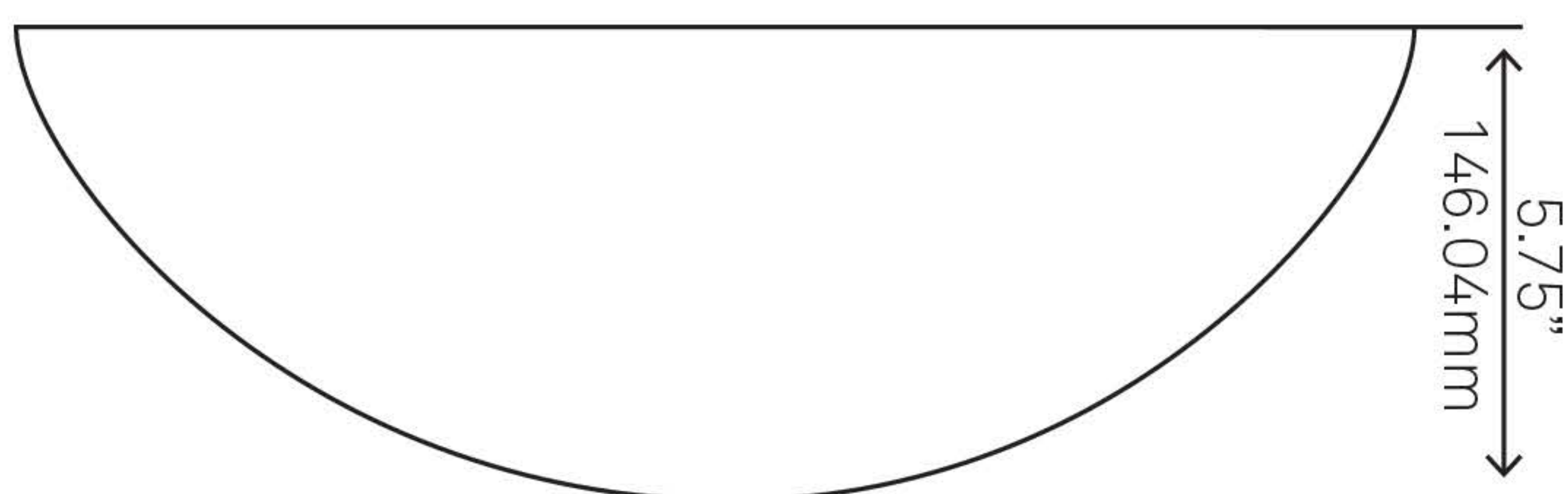
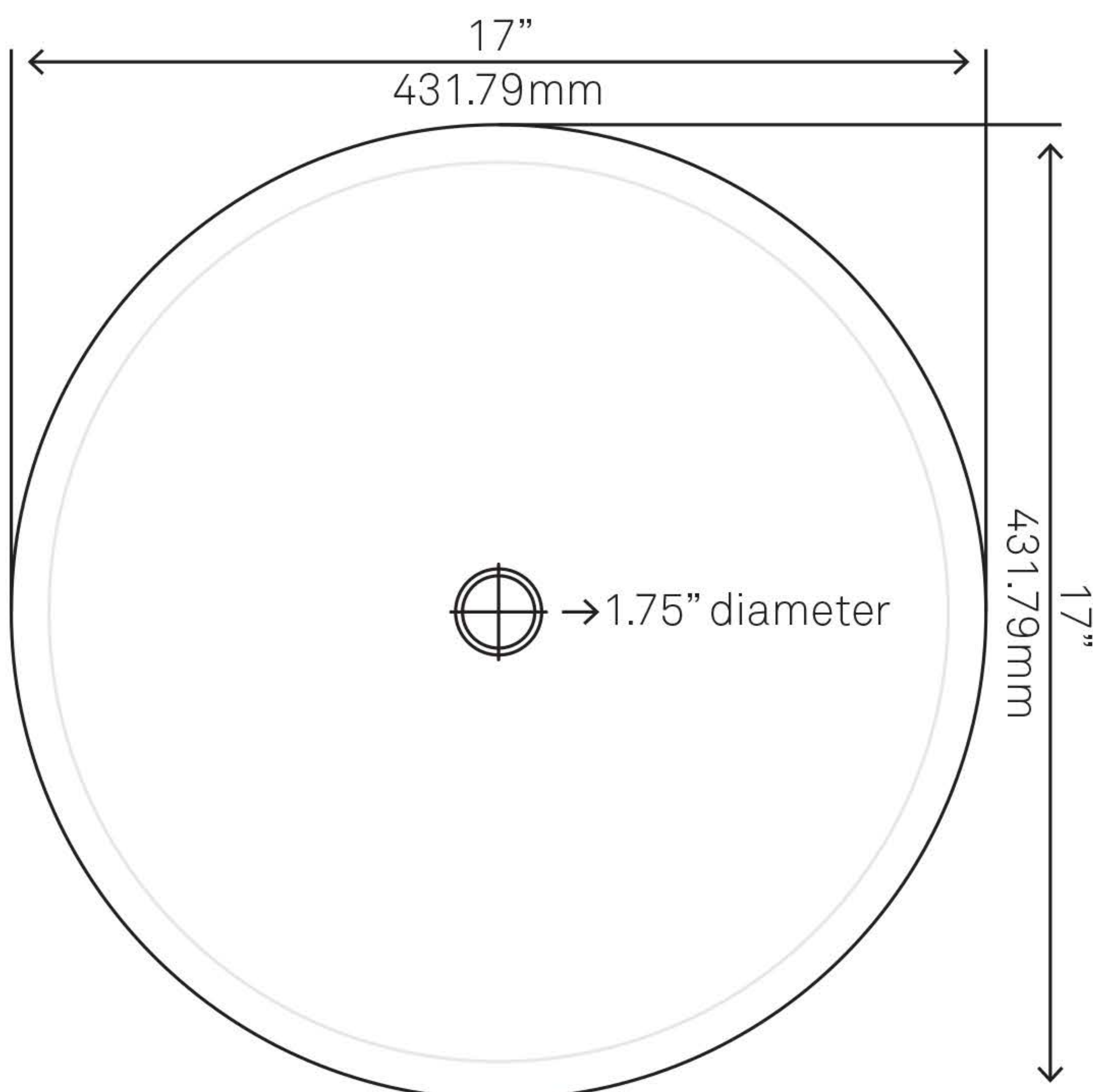




NOSV-AN Absolute Natural Granite Vessel Sink

Requested By:

Specific Features:



STANDARD SPECIFICATIONS:

- Round granite vessel sink
- Polished black interior
- Natural textured exterior
- Hand crafted by our master artisans
- Above counter installation
- No mounting ring required
- 7/8" thick granite
- Inside dimension: 15.25 x 5
- Standard U.S. plumbing connection

WARRANTY:

Limited lifetime warranty

- See www.NovattoInc.com for details

COORDINATING ACCESSORIES:

- UPD-BN/CH/ORB umbrella drain
- Glacier Ice Restoration and Sealer kit

NOTES

Novatto reserves the right (1) to make changes in specifications and materials, and (2) to change or discontinue models, both without notice or obligation. Dimensions are for reference only, see www.NovattoInc.com for finish options and product availability.

Novatto Inc
TOLL FREE 844.404.4242
www.NovattoInc.com



**GF-136BN ECLIPSE
Single Lever Vessel Faucet**

Requested By: _____

Specific Features: _____

STANDARD SPECIFICATIONS:

- Brushed nickel finish
- Single handle control
- Solid brass construction
- High pressure ceramic cartridge
- Single hole deck mount installation
- 1.5-inch diameter hole required
- Spout reach: 3.75-inches
- Spout height: 8-inches
- cUPC and AB1953 low lead compliant
- ASME A112.18.1-1-2011/CSA B125.1-11
- NSF 61 and NSF 372 certified
- EPA WaterSense® available

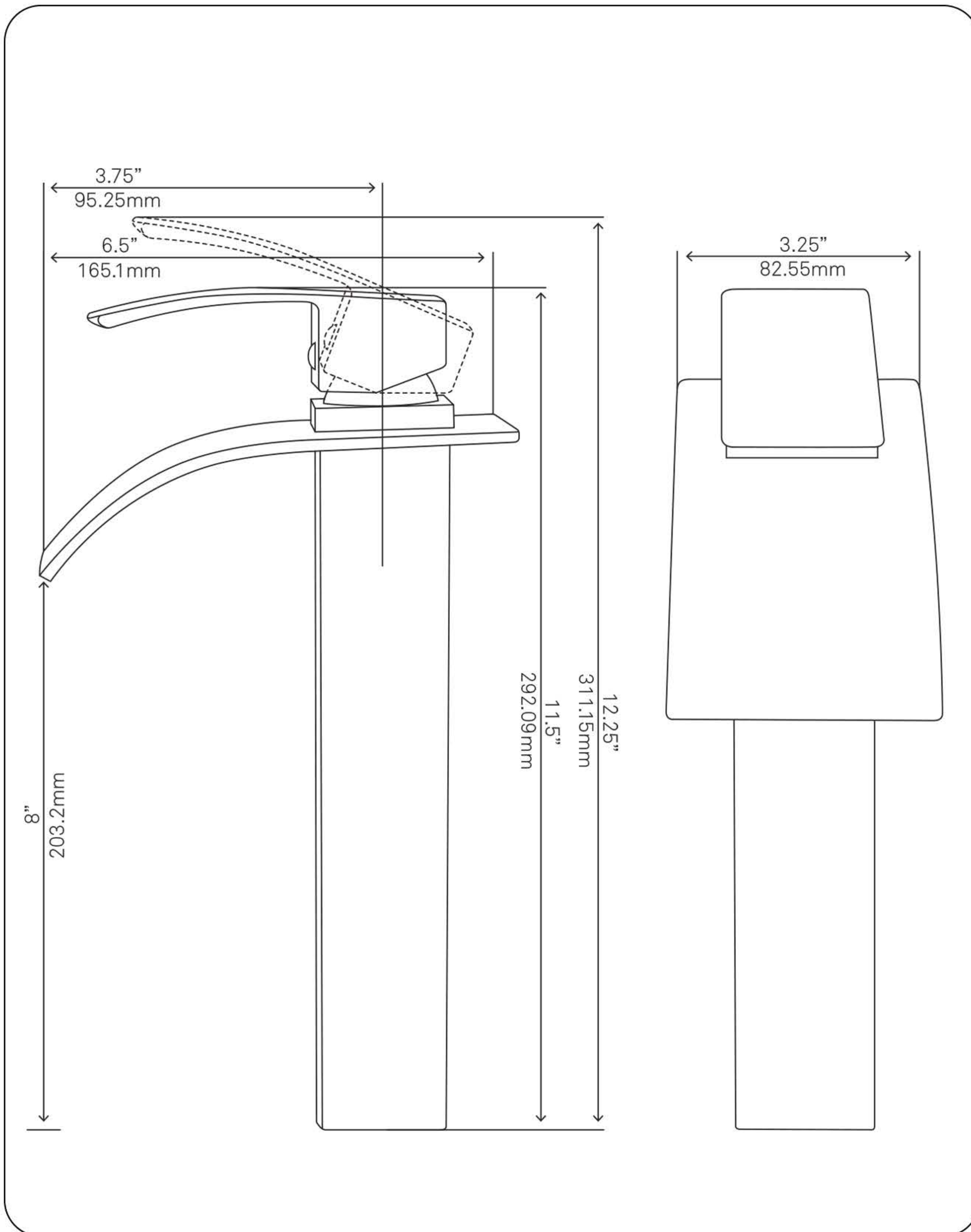
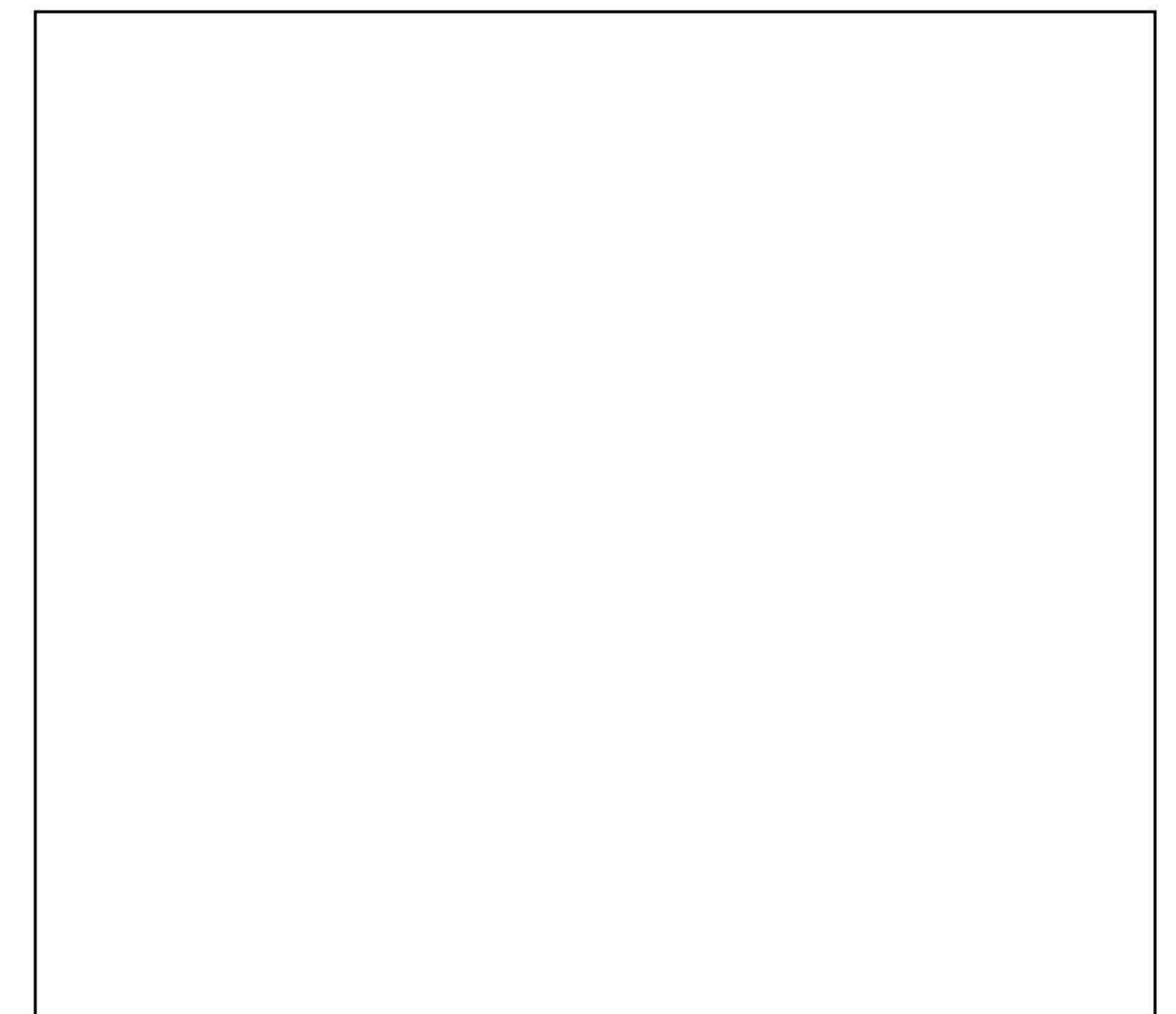
WARRANTY:

- Limited lifetime warranty
- See www.NovattoInc.com for details

COORDINATING ACCESSORIES:

- PUD-BN pop-up drain
- MR-001BN mounting ring
- Glacier Ice Restoration and Sealer kit

NOTES



Novatto reserves the right (1) to make changes in specifications and materials, and (2) to change or discontinue models, both without notice or obligation. Dimensions are for reference only, see www.NovattoInc.com for finish options and product availability.

Novatto Inc
TOLL FREE 844.404.4242
www.NovattoInc.com



UPD-BN
Vessel Sink Umbrella Drain, Brushed Nickel

Requested By.: _____

Specific Features: _____

STANDARD SPECIFICATIONS:

- Umbrella vessel sink drain
- Brushed nickel finish
- Solid brass construction
- Includes rubber seals and fastener for installation
- 9.5-inches total length
- Fits any standard 1.75-inch drain opening
- cUPC

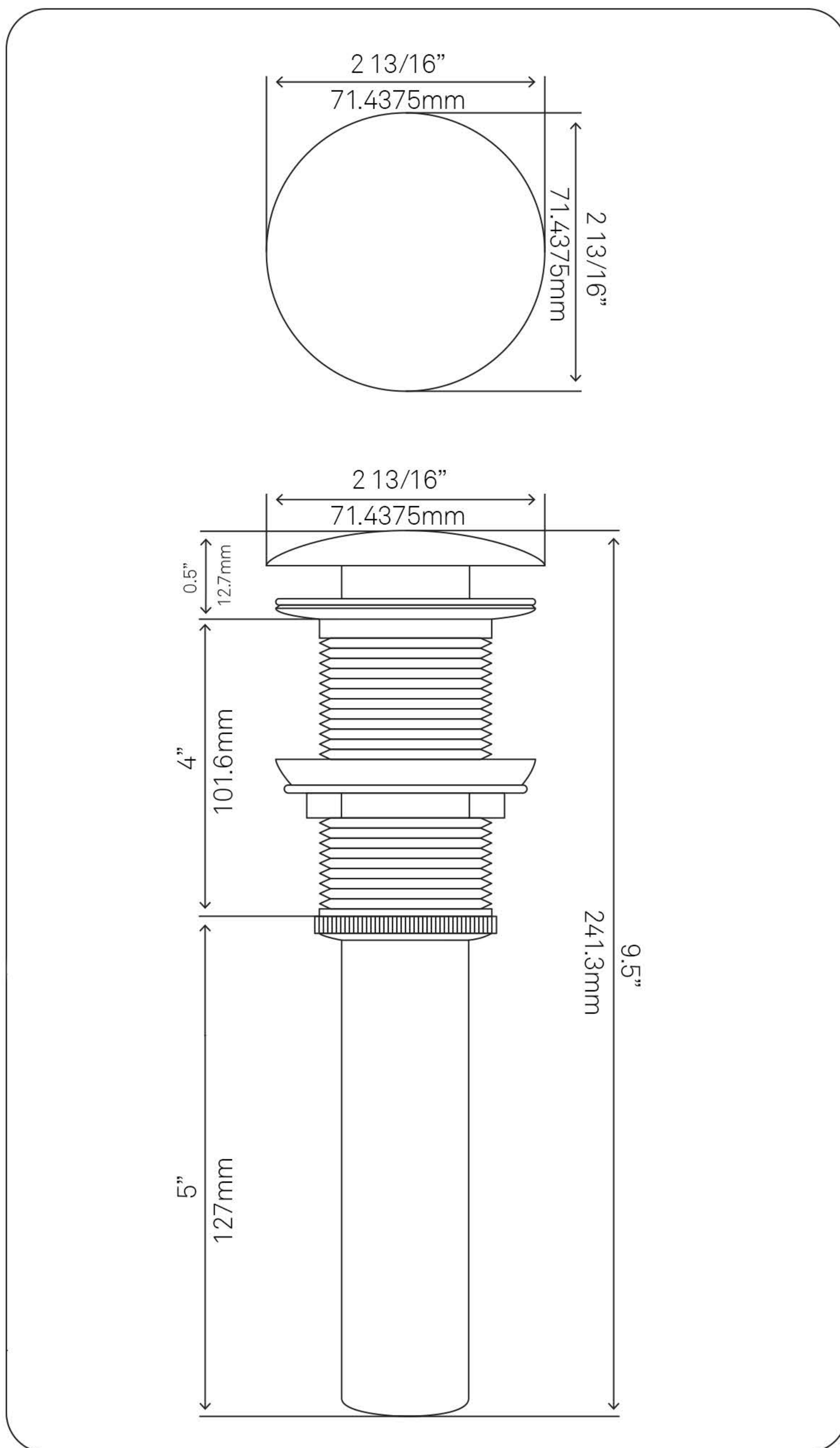
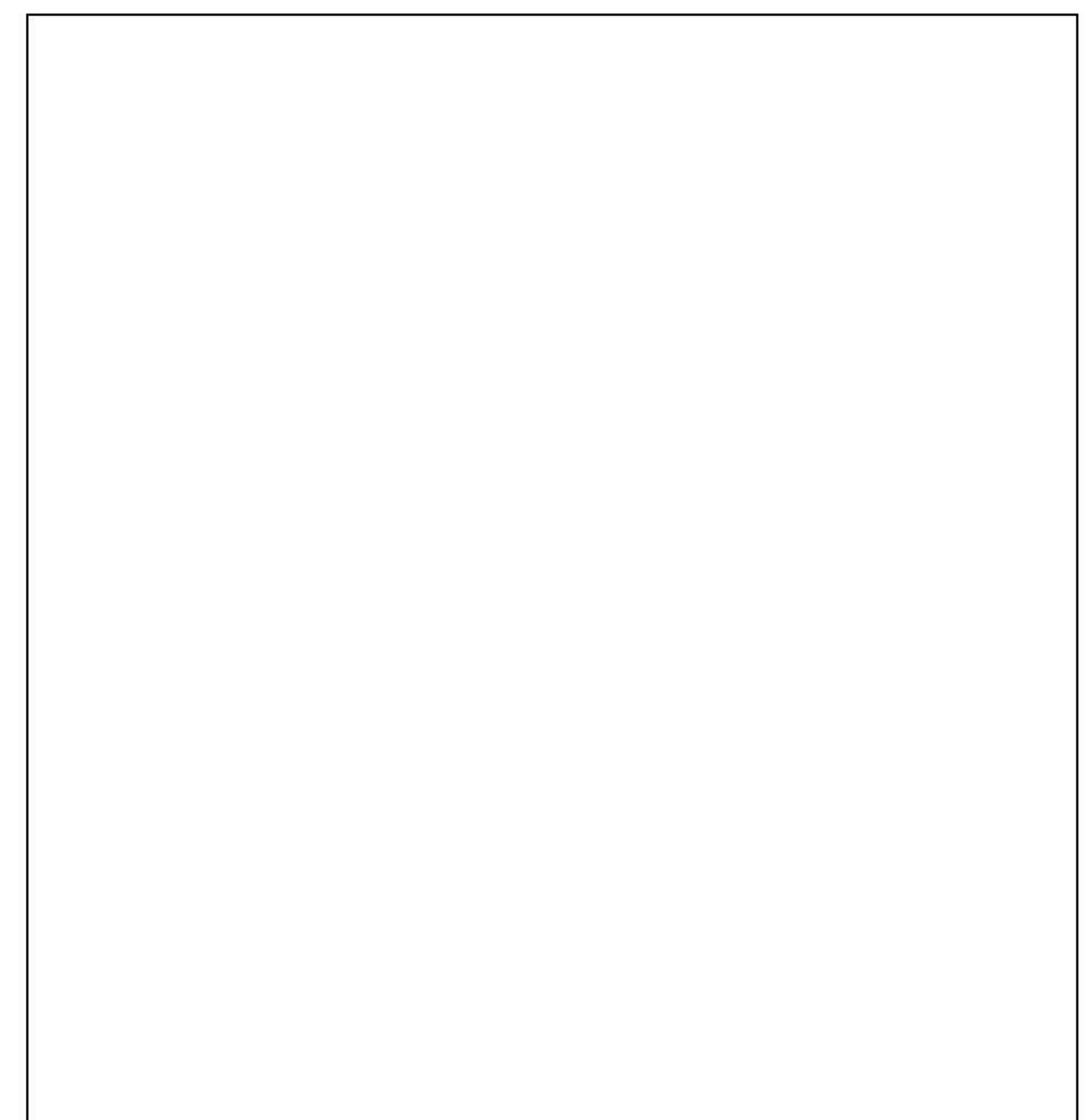
WARRANTY:

- Limited lifetime warranty
- See www.NovattoInc.com for details

COORDINATING ACCESSORIES:

- Glacier Ice Restoration and Sealer kit
- Brush Nickle Mounting Ring

NOTES



Novatto reserves the right (1) to make changes in specifications and materials, and (2) to change or discontinue models, both without notice or obligation. Dimensions are for reference only, see www.NovattoInc.com for finish options and product availability.

Novatto Inc
 TOLL FREE 844.404.4242
www.NovattoInc.com