



STD-CH
Vessel Sink Strainer Drain, Chrome

Requested By: _____

Specific Features: _____

STANDARD SPECIFICATIONS:

- 19 hole strainer drain
- Chrome finish
- Solid brass construction
- Includes rubber seals and fastener for installation
- cUPC

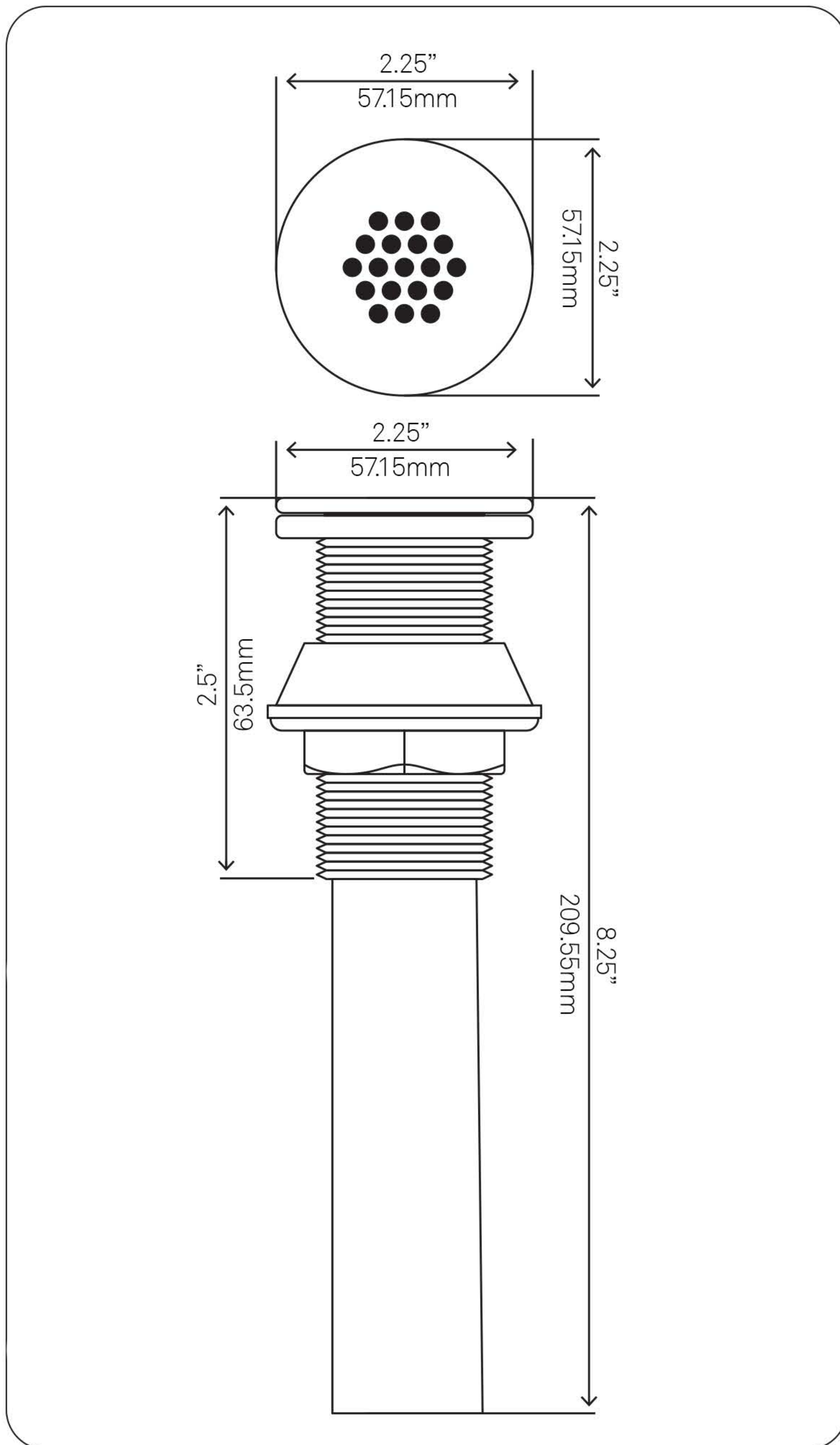
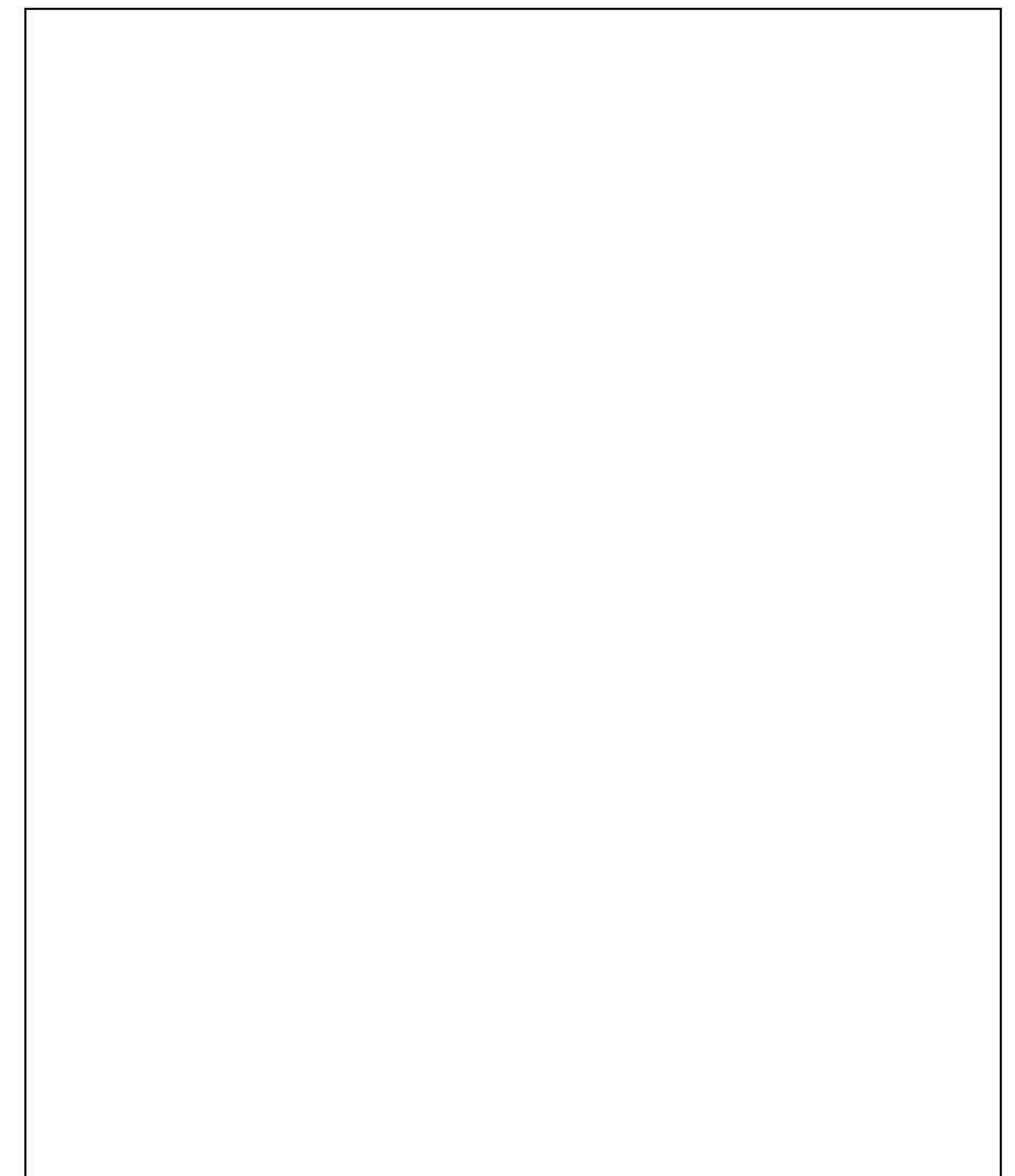
WARRANTY:

- Limited lifetime warranty
- See www.NovattoInc.com for details

COORDINATING ACCESSORIES:

- Glacier Ice Restoration and Sealer kit

NOTES



Novatto reserves the right (1) to make changes in specifications and materials, and (2) to change or discontinue models, both without notice or obligation. Dimensions are for reference only, see www.NovattoInc.com for finish options and product availability.

Novatto Inc
 TOLL FREE 844.404.4242
www.NovattoInc.com