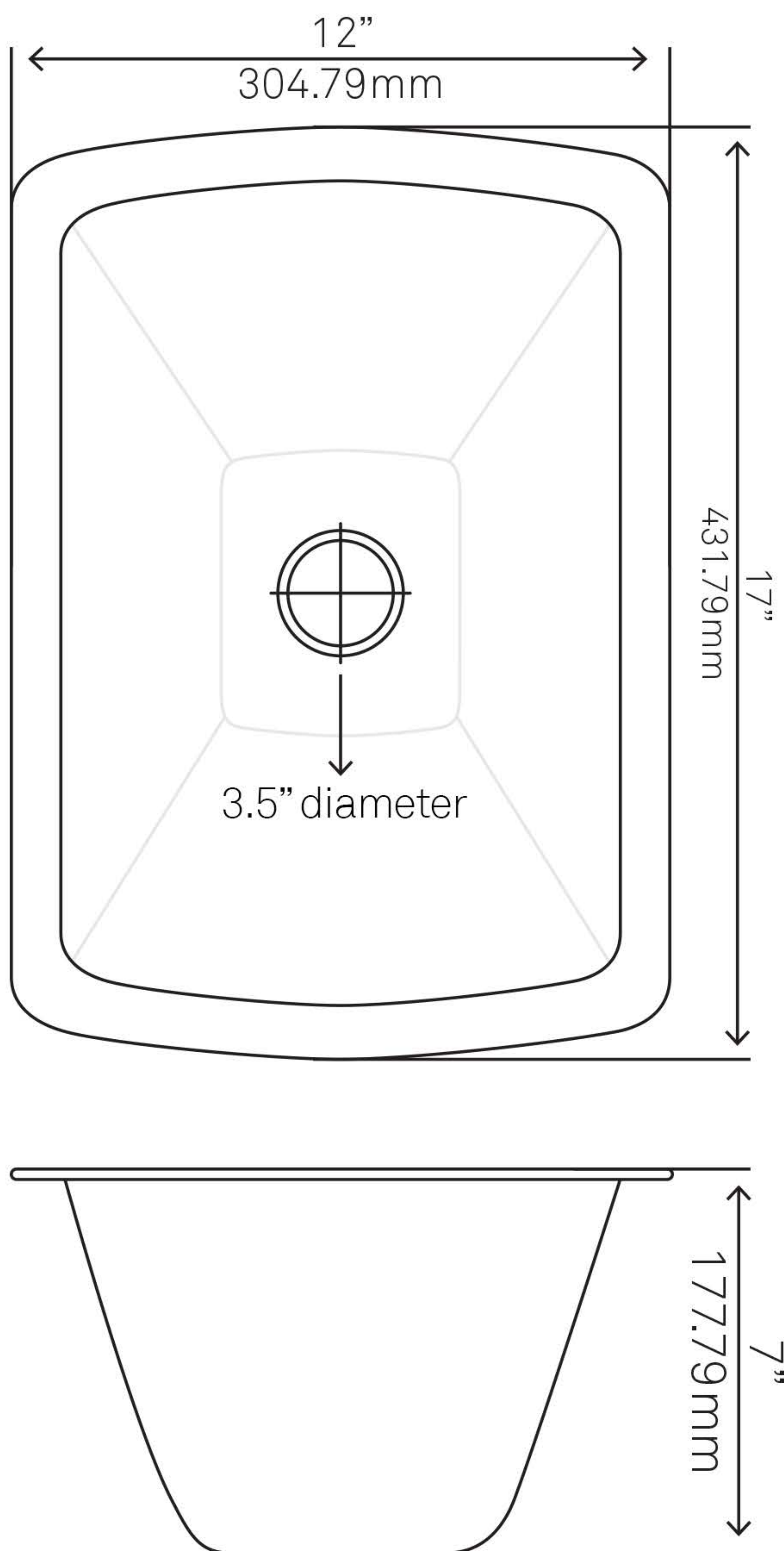




TCB-002AN CORDOBA Copper Bar Sink, Antique

Requested By:

Specific Features:



STANDARD SPECIFICATIONS:

- Rectangular bar and prep sink
- 1-inch flat rim
- Hand-hammered antique finish
- Drop-in or Undermount installation
- Artisan hand crafted
- 16-gauge recycled copper construction
- Tolerance = +/- 1/2"
- Approximate dimensions
- Inner 15 x 10 x 6.5-inches
- Standard U.S. plumbing connection
- Made in Mexico

WARRANTY:

Limited lifetime warranty

- See www.NovattoInc.com for details

NOTES

Novatto reserves the right (1) to make changes in specifications and materials, and (2) to change or discontinue models, both without notice or obligation. Dimensions are for reference only, see www.NovattoInc.com for finish options and product availability.

Novatto Inc
TOLL FREE 844.404.4242
www.NovattoInc.com