

BRONSON BLOCK GAS FIRE PIT KIT



BRON52-K with optional Limestone Tan Top



BRON5151-K

1



2



3



4



MODERN TAKE ON TRADITIONAL

Build your own gas fire pit with the all-in-one Bronson Block Gas Fire Pit Kit. The traditional brick paver style gives the familiar look of a backyard bonfire with the modern convenience of gas. Choose between round or square options, both make for an easy DIY project. Optional concrete top pieces, available in Charcoal Grey or Limestone Tan, offer a contemporary finish to the round fire pit design.

FEATURES:

- Build your own gas fire pit with these all-in-one-kits
- 28" round Crystal Fire® Plus burner insert and 42" square or round plate
- Includes pavers (round: 84, square 64), control panel, 2 vent blocks, and tumbled lava rock (round: 54 lbs, square 60 lbs)
- Does not fit 20 lb. propane tank in base
- Optional Charcoal Grey (BRON52-CG-TC) or Limestone Tan (BRON52-LT-TC). SKUs are for one piece. Must order 4 for complete top.
- 105,000/106,000 BTUs (LP/NG)
- Made in USA



THE OUTDOOR
GREATROOM
COMPANY

sales@outdoorrooms.com | 1.866.303.4028 | outdoorrooms.com

PRODUCT INFORMATION:

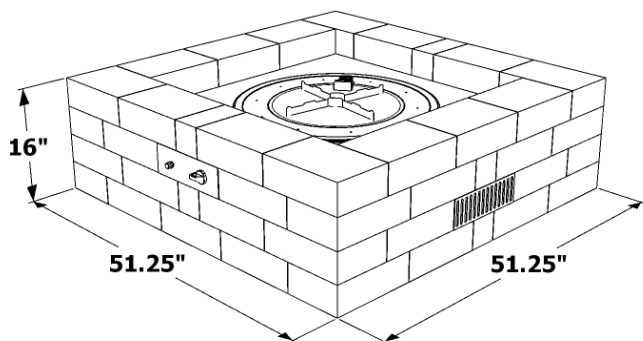
ITEM	ITEM CODE	RETAIL PRICE
Bronson Square Block Kit	BRON5151-K	\$2289
Bronson Round Block Kit	BRON52-K	\$2399

OPTIONAL ACCESSORIES:

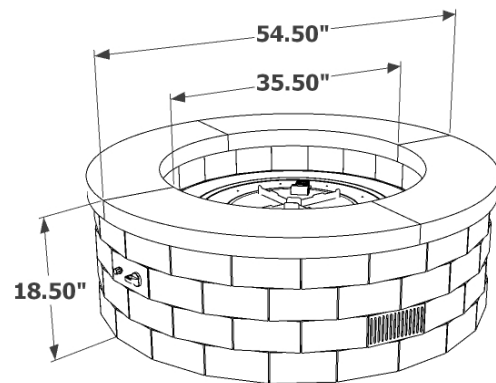
ITEM	ITEM CODE	RETAIL PRICE
Charcoal Grey Bronson Block Kit Concrete Top (1)*	BRON52-CG-TC	\$279
Limestone Tan Bronson Block Kit Concrete Top (1)*	BRON52-LT-TC	\$279
Black Lava Rock	LAVA-BLK	\$65
Outdoor Ceramic Fiber Log Set	CF20-LOG SET	\$169

*4 total pieces of this SKU is needed to complete top

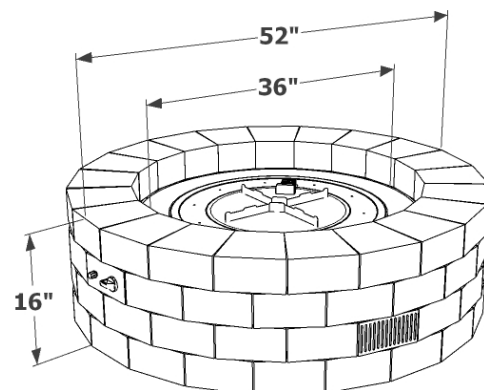
DIMENSIONS:



BRON5151-K



BRON52-K with optional top



BRON52-K