

# 42" COVE GAS FIRE PIT BOWL



CV-30MM



CV-30WT



CV-30

## MODERN, NATURAL LOOK

The 42" Cove Gas Fire Pit Bowl is the perfect addition to any contemporary outdoor space. Choose between popular Natural Grey, Midnight Mist, or White Supercast™ concrete. The natural appearance of the concrete lets the focus be on the stunning 30" Crystal Fire® Plus Burner. The organic, natural appearance of the concrete is unique to each fire pit. Color variations are common attributes to the fire pit. Pitting may occur.

## FEATURES:

- Natural Grey, White, or Midnight Mist Supercast™ concrete base
- Contemporary concrete finish is unique to each fire pit, variations may occur
- 30" Crystal Fire® Plus Burner - 105,000 BTUs (LP), 106,000 BTUs (NG)
- Grey glass burner cover
- Does not fit 20 lb. LP tank in base
- Optional glass wind guard and protective cover sold separately
- UL Listed, Made in USA



THE OUTDOOR  
GREATROOM  
COMPANY

[sales@outdoorrooms.com](mailto:sales@outdoorrooms.com) | 1.866.303.4028 | [outdoorrooms.com](http://outdoorrooms.com)

## PRODUCT INFORMATION:

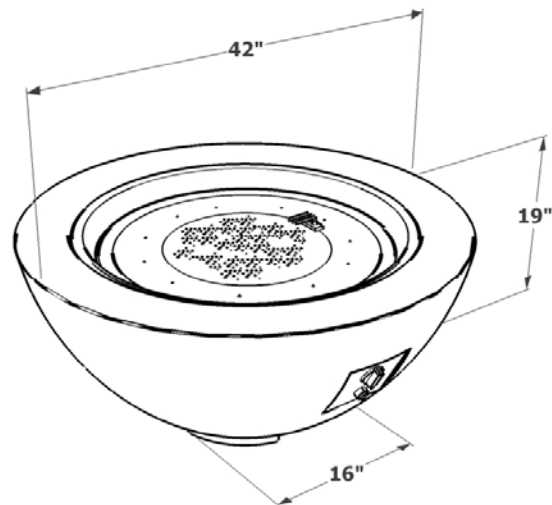
ITEM	ITEM CODE	RETAIL PRICE
Natural Grey	CV-30	\$3169
Midnight Mist	CV-30MM	\$3269
White	CV-30WT	\$3269

## OPTIONAL ACCESSORIES:

ITEM	ITEM CODE	RETAIL PRICE
Glass Wind Guard	GLASS GUARD-30-R	\$389
Tan Protective Cover	CVR42	\$65

Refer to the fire media sell sheet for additional media options. 5 bags of fire media are recommended for the 30" Crystal Fire® Plus Burner.

## DIMENSIONS:



265 lbs