

- OPB-151C**       **OPB-151SS**  
 **OPB-151ORB**

Omni**pro**

## Single Handle Pulldown Kitchen Faucet



# Product Spec Sheet

### FEATURES & BENEFITS

- This Product Contains Less Than 0.25% Weighted Average Lead Content On Wetted Surfaces
- Metal Lever Handle
- Ceramic Cartridge
- Optional Deck Plate Included
- Max Flow Rate 1.8 GPM (6.8 L/MIN) At 60 PSI (ASME A112.18.1M/A112.18.1)

OPB-151C  
 Chrome Finish

OPB-151SS  
 Stainless Steel Finish

OPB-151ORB  
 Oil Rubbed Bronze Finish

#### APPROVALS:

Meets or Exceeds The Following:

- \* ANSI/ASME A112.18.1M/A112.18.1
- \* NSF/ANSI/CAN 61 – Sec. 9: Q≤1
- \* NSF/ANSI/CAN 372
- \* IAPMO/cUPC
- \* CA AB1953



**TEL:** 800-217-4603

Visit Our Web Site : [www.omniprofaucets.com](http://www.omniprofaucets.com)

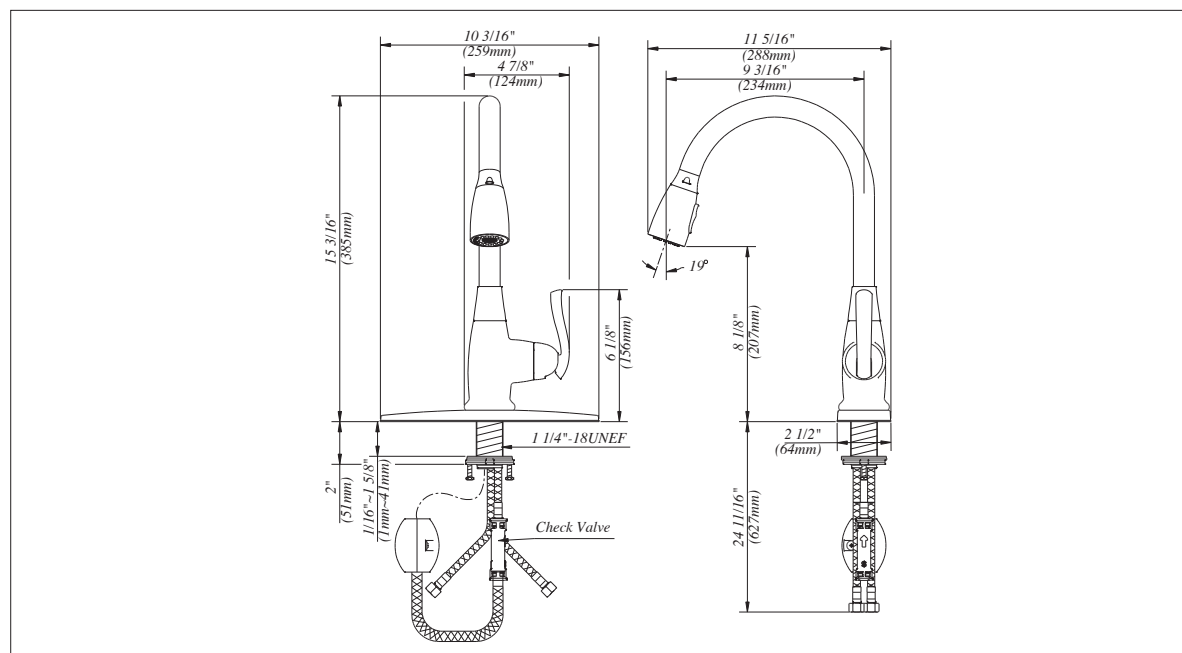
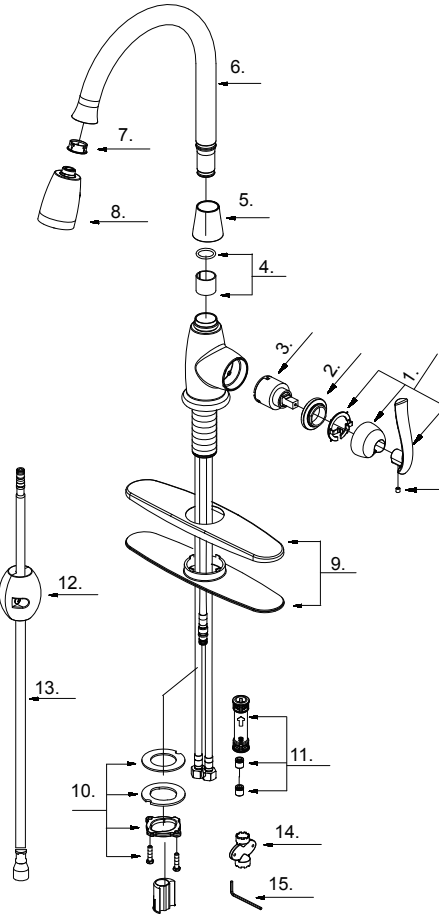
**OPB-151C**       **OPB-151SS**

Omni**pro**

**OPB-151ORB**

# Single Handle Pulldown Kitchen Faucet

| No. | Name                       | Part No.                             |
|-----|----------------------------|--------------------------------------|
| 1   | Metal Handle Assembly      | A66E577                              |
| 2   | Locking Nut                | A104333                              |
| 3   | Ceramic Disc Cartridge     | A507348N                             |
| 4   | Spout Seal Kit             | A66D509                              |
| 5   | Spout Base                 | A000092                              |
| 6   | Spout                      | A139893                              |
| 7   | Hose Guide                 | A126048KP                            |
| 8   | Hand Spray w/Check Valve   | A523178W-54                          |
| 9   | Cover Plate & Putty Plate  | A66F105NP                            |
| 10  | Mounting Hardware Assembly | A663134                              |
| 11  | Hose Adaptor Assembly      | A663123N                             |
| 12  | Weight                     | A504713                              |
| 13  | Spray Hose                 | A515111W                             |
| 14  | Aerator Wrench             | (18.5 * 16.5 * 42 * 43 mm) A031237GR |
| 15  | Wrench                     | (H 2.5 * 19 mm L * 53 mmL) A031000NI |



**Product Spec Sheet**

TEL: 800-217-4603

Visit Our Web Site : [www.omniprofaucets.com](http://www.omniprofaucets.com)