

- OPC-500C** **OPC-500BN**
 OPC-500CL

Omni**pro**

4" Single Handle Lavatory Faucet



Product Spec Sheet

FEATURES & BENEFITS

- This Product Contains Less Than 0.25% Weighted Average Lead Content On Wetted Surfaces
- Metal Lever Handle
- Stainless Steel Ball Valve
- Brass Pop-up
- Max Flow Rate 1.2 GPM (4.5 L/MIN) At 60 PSI (ASME A112.18.1M/A112.18.1)

OPC-500C
Chrome Finish

OPC-500BN
Brushed Nickel Finish

OPC-500CL
Less Pop-up
Chrome Finish

APPROVALS:

Meets or Exceeds The Following:

- * ANSI/ASME A112.18.1M/A112.18.1
- * NSF/ANSI/CAN 61 – Sec. 9: Q≤1
- * NSF/ANSI/CAN 372
- * IAPMO/cUPC
- * CA AB1953



NSF/ANSI/CAN 372
NSF/ANSI/CAN 61 & 9.0.1



TEL: 800-217-4603

Visit Our Web Site : www.omniprofaucets.com

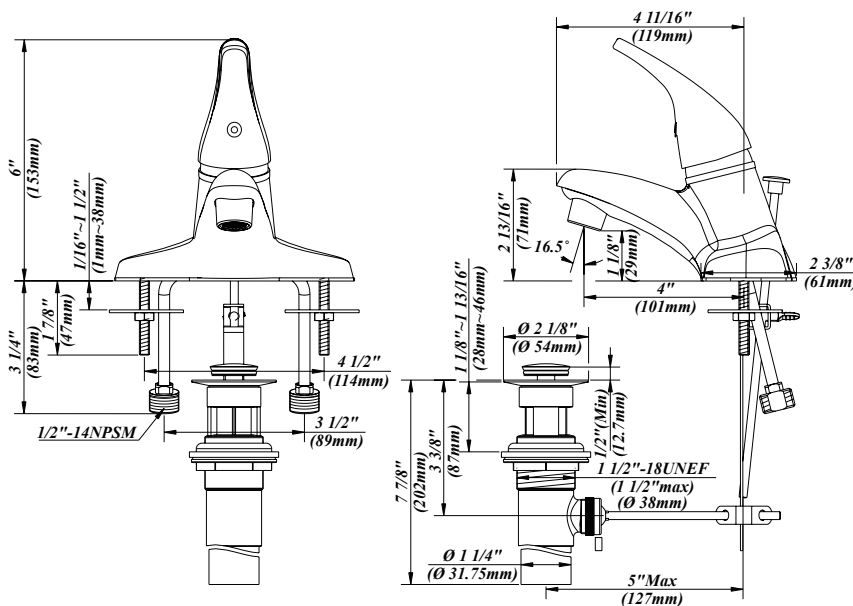
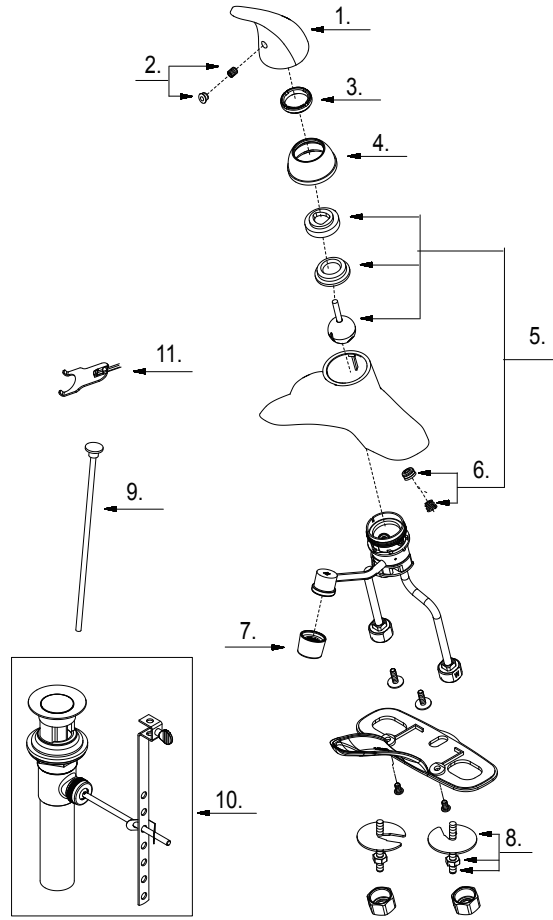
□ **OPC-500C** □ **OPC-500BN**

OmniPro

□ **OPC-500CL**

4" Single Handle Lavatory Faucet

No.	Name	Part No.
1	Metal Handle	A069549
2	Index Button-Cold/Hot	A66D567
3	Lock Nut Set	A104001
4	Trim Cap	A103022
5	Ball Valve Assembly	A66D641N
6	Seat & Spring Set	A663002
7	Aerator	A500267N-64
8	Mounting Hardware	A663638
9	Lift Rod	A025011
10	Pop-up Assembly	A556200
11	Wrench	A031001NI



Product Spec Sheet

TEL: 800-217-4603

Visit Our Web Site : www.omniprofaucets.com