

OPH-151C
 OPH-151MB

OPH-151SS

OmniPro

Single Handle Pull Down Kitchen Faucet



FEATURES & BENEFITS

- This Product Contains Less Than 0.25% Weighted Average Lead Content On Wetted Surfaces
- Metal Lever Handle
- Ceramic Cartridge
- Optional Deck Plate Included
- Max Flow Rate 1.8GPM(6.8L/Min) At 60PSI (ASME A112.18.1/A112.18.1)

OPH-151C
Chrome Finish

OPH-151SS
Stainless Steel Finish

OPH-151MB
Matte Black

Approvals:

Meets or Exceeds The Following:

- * ANSI/ASME A112.18.1/A112.18.1
- * NSF/ANSI 61 - Sec. 9
- * NSF/ANSI 372
- * IAPMO/cUPC
- * NSF/ANSI/CAN 61: $Q \leq 1$



TEL: 800-217-4603

Visit Our Web Site : www.omniprofaucets.com

Product Spec Sheet

OPH-151C
 OPH-151SS

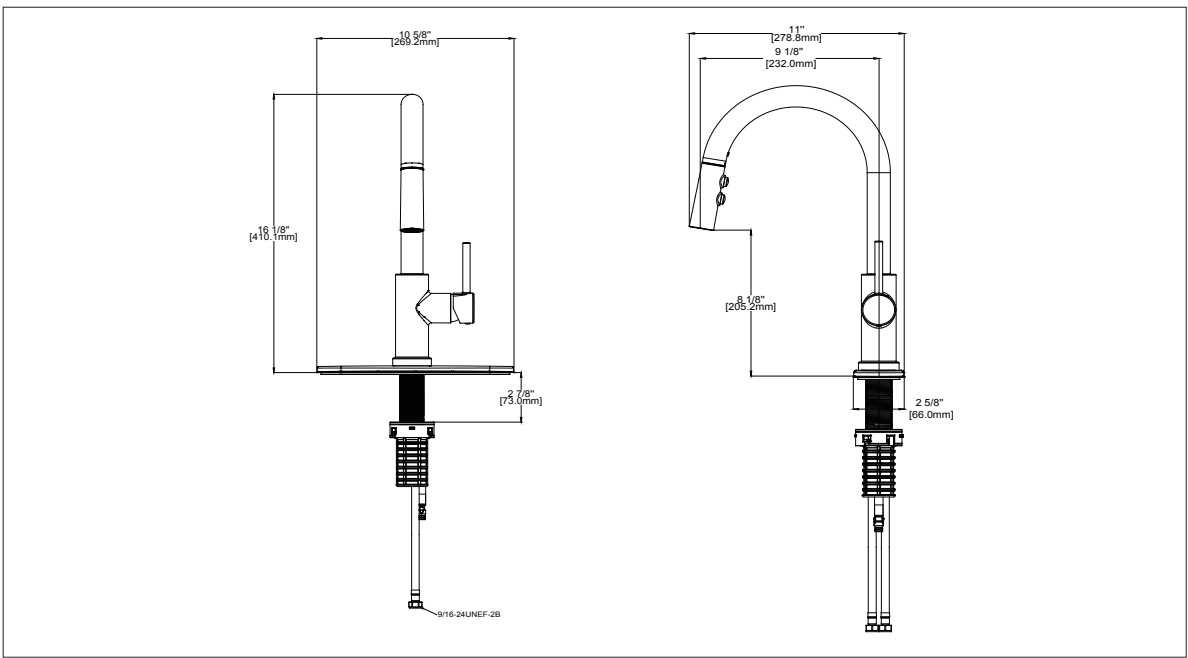
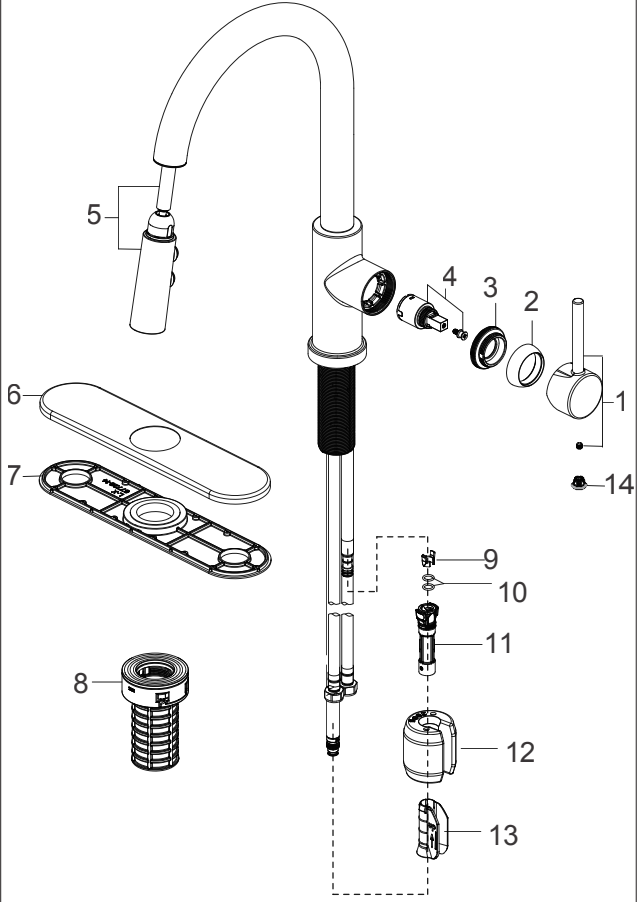
OPH-151MB

Omni**pro**

Single Handle Pull Down Kitchen Faucet

| No. | Name | Part No. |
|-----|---|----------|
| 1 | Handle Assembly / Ensamblaje de la Llave | RP13701* |
| 2 | Cap / Tapa | RP80028* |
| 3 | Bonnet Nut / Tuerca del Bonete | RP70688 |
| 4 | Cartridge & Screw / Cartucho y Tornillo | RP20052 |
| 5 | Spray Head and Hose / Cabezal Rociador y Manguera | RP38526* |
| 6 | Deckplate / Placa de la Cubierta | RP80667* |
| 7 | Gasket / Junta | RP80755 |
| 8 | Quick Install Nut / Tuerca de Instalación Rápida | RP56096 |
| 9 | Block / Bloque | RP70421 |
| 10 | O-Ring / Aro Tórico | RP60002 |
| 11 | Quick connect assembly / Ensamblaje del conector rápido | RP70697 |
| 12 | Weight / Peso | RP70689 |
| 13 | Weight Clip / Sujetador Con Peso | RP64204 |
| 14 | Index Bonnet | RP10098 |

* Specify Finish
 * Especifique el Acabado



Product Spec Sheet

TEL: 800-217-4603

Visit Our Web Site :

www.omniprofaucets.com