

# **Universal Pressure Balancing Valve Body**

# **Product Spec Sheet**



## **FEATURES & BENEFITS**

- Washerless Cartridge
- Sweat & IPS Connections
- Less Stops

OPSR-799  
Chrome Finish

### **APPROVALS:**

**Meets or Exceeds The Following:**

- \* ANSI/ASME A112.18.1
- \* IAPMO/cUPC
- \* ASSE 1016-2005



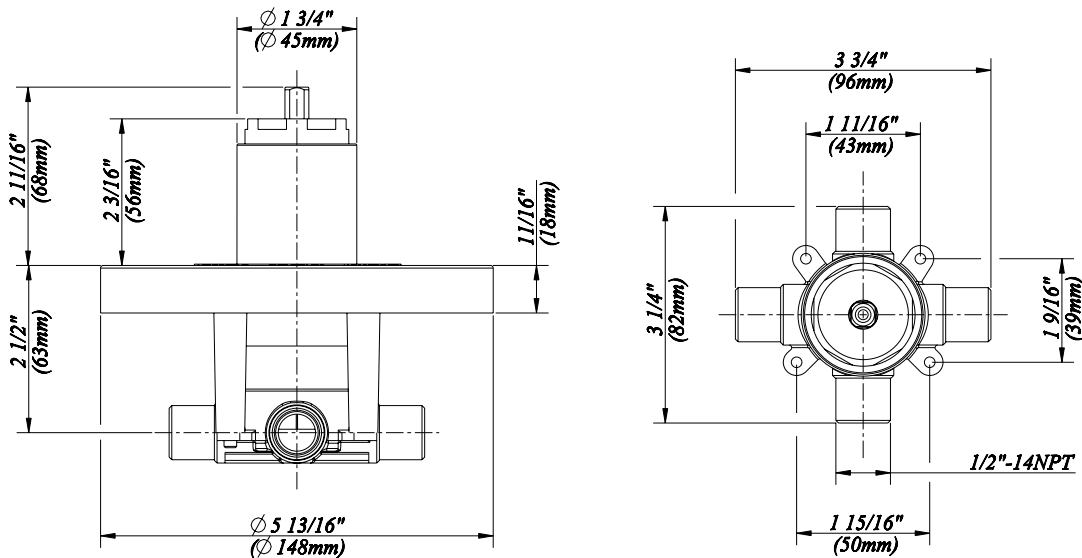
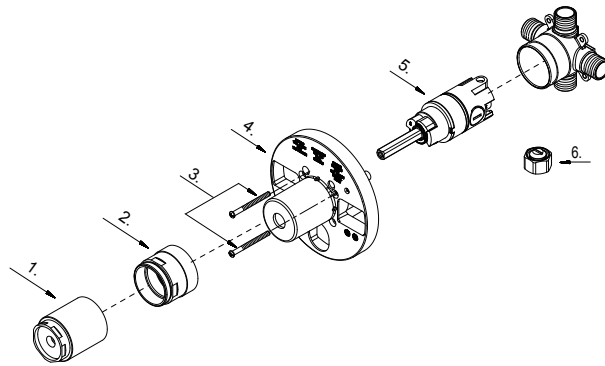
**TEL:** 800-217-4603

**FAX:** 877-992-2846

Visit Our Web Site : [www.omniprofaucets.com](http://www.omniprofaucets.com)

# Universal Pressure Balancing Valve Body

No.	Name	Part No.
1	Sleeve	A103322
2	Retainer Nut	A103310
3	Screw Set (3/16" -24 * 2-3/16" L)	A608519
4	Plaster Guard	A127007
5	Washerless Cartridge Assembly	A507975
6	Plug	A028452



**Product Spec Sheet**