

## ***Universal Pressure Balancing Valve Body***



### **FEATURES & BENEFITS**

- Washerless Cartridge
- Pex Connection
- Integral Stops

OPSR-799PWS  
Chrome Finish

#### **APPROVALS:**

**Meets or Exceeds The Following:**

- \* ANSI/ASME A112.18.1
- \* IAPMO/cUPC
- \* ASSE 1016-2005



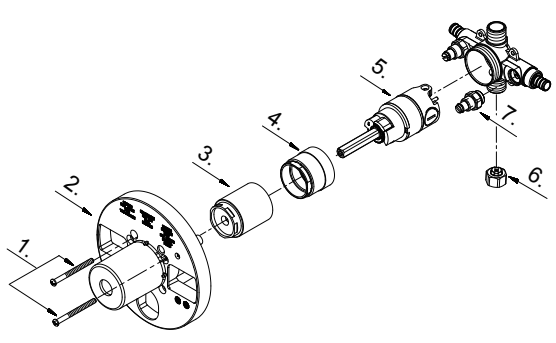
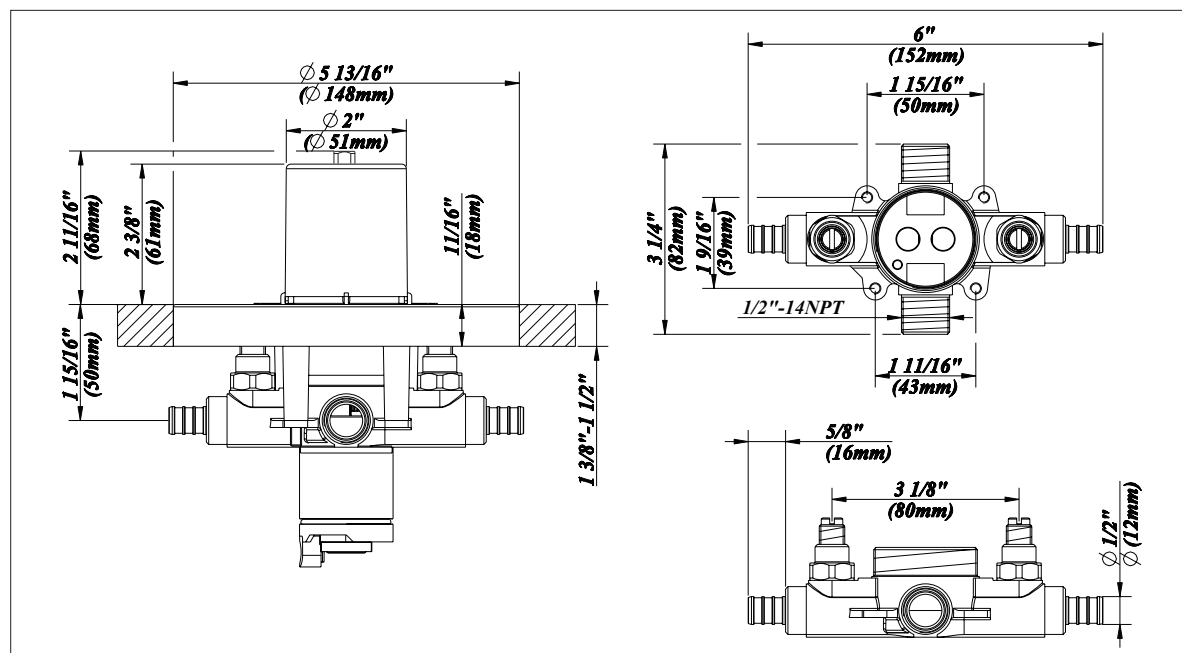
**Product Spec Sheet**

**TEL:** 800-217-4603

**Visit Our Web Site :** [www.omniprofaucets.com](http://www.omniprofaucets.com)

# Universal Pressure Balancing Valve Body

No.	Name	Part No.
1	Screw Set	A608519
2	Plaster Guard	A127211KP
3	Sleeve	A103322
4	Retainer Nut	A103310
5	Washerless Cartridge Assembly	A507902
6	Plug	A028452
7	Check Valve	A603120

# Product Spec Sheet

TEL: 800-217-4603

Visit Our Web Site : [www.omniprofaucets.com](http://www.omniprofaucets.com)