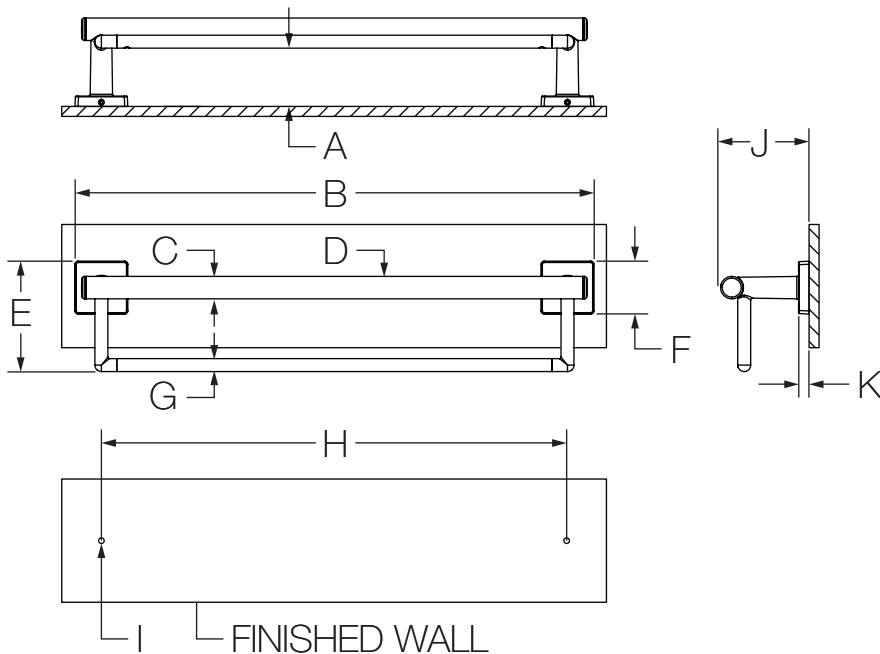




363GBTB-18, 363GBTB-24
 ADA Towel Bar with Assist Bar
Operation & Maintenance Manual

Model Numbers	Feature Highlights
<input type="checkbox"/> 363GBTB-18 18" Towel Bar with Assist Bar <input type="checkbox"/> 363GBTB-24 24" Towel Bar with Assist Bar	<ul style="list-style-type: none"> • Supports up to 250 lbs. as an assist bar • 18"/24" bar length • 7/8" bar diameter • 2" square flange • Bar extends 2-1/4" from wall • Concealed mounting for a clean look • Mounting hardware and mounting plate included • Metal construction in standard polished chrome finish • Winglts compatible
Finish Options	Warranty
<input type="checkbox"/> -STN Satin Nickel finish Note: Append appropriate -suffix to model number.	Limited Lifetime - to the original end purchaser in consumer/residential installations. 5 Years - for industrial/commercial installations. Refer to www.symmons.com/warranty for complete warranty information.

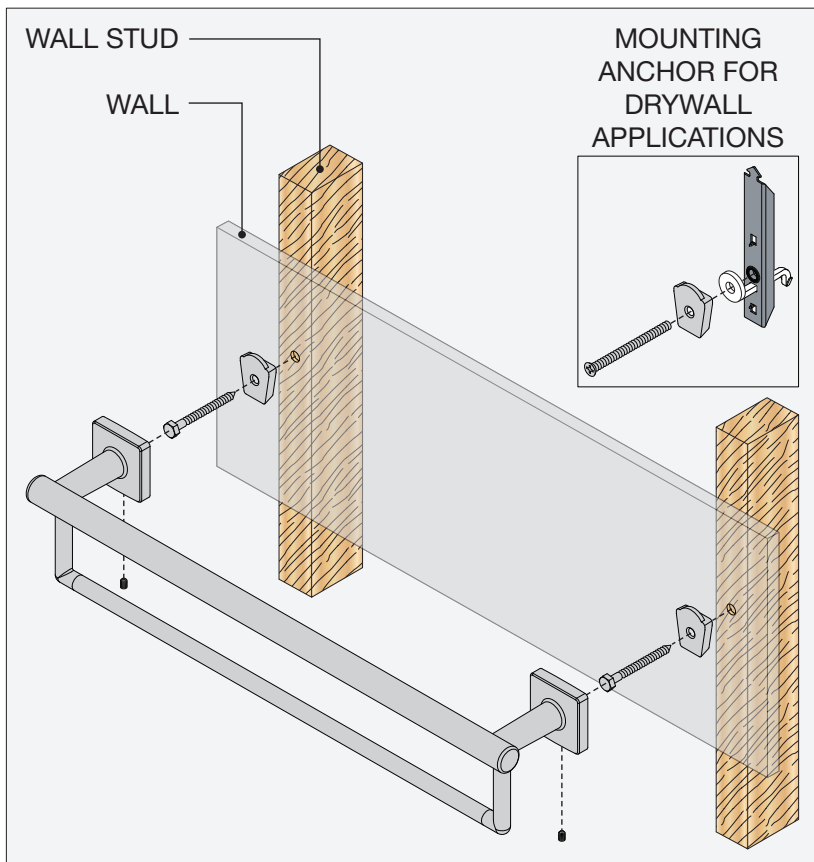
Dimensions



Measurements	
A	2-1/4", 57 mm
B	20", 508 mm (363GBTB-18) 26", 660 mm (363GBTB-24)
C	Ø 7/8", 22 mm
D	Load bearing surface supports up to 250 lbs. as an assist bar
E	4-1/4", 108 mm
F	(2x) Sq. 2", 51 mm
G	1/2", 13 mm
H	18", 457 mm (363GBTB-18) 24", 610 mm (363GBTB-24)
I	(2x) Hole Size Ø 7/64", 3 mm
J	3-3/8", 86 mm
K	3/8", 10 mm

Note: Dimensions subject to change without notice.

Parts Breakdown

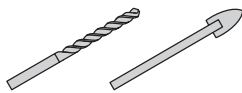


Tools Required for All Installations	
3/8" Drill	
7/16" Hex Socket with 3/8" Drive Ratchet	
Pencil	
Phillips Head Screwdriver	
Safety Glasses	
Silicone	
Stud Finder	

Drill Bit Sizes

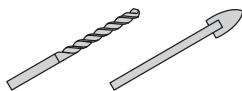
Installing to Wall Studs Only

Wall Stud Pilot Hole:
7/64" Drill Bit
Through Ceramic Tile:
5/16" Carbide Tip Drill Bit



Installing Mounting Anchor

Drywall Pilot Hole:
1" Drill Bit
Through Ceramic Tile:
1" Carbide Tip Drill Bit



⚠ IMPORTANT NOTES FOR PROPER INSTALLATION

DO NOT install this product without first reading and understanding the instructions. If you are unable to understand these warnings and instructions, contact professional or technical personnel for assistance - otherwise injury may occur.

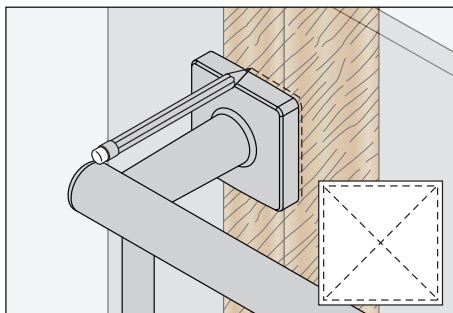
Towel Bar Holder Location

- For proper mounting heights and location consult with your state and local code official having jurisdiction over the installation.

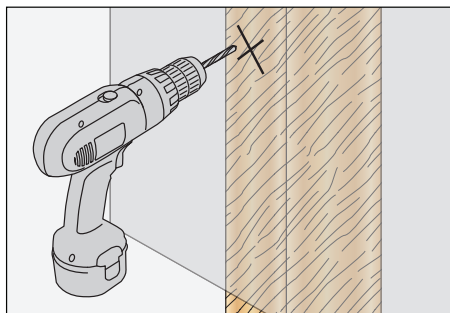
Solid Support

- Towel Bar ends can be mounted with both end positions over a wall stud. A stud finder can be used to locate wall studs. Contractor is responsible for installing Towel Bar to wall studs as instructed.
- For drywall applications one end of Towel Bar must be positioned over a wall stud while the mounting bracket is used to secure the opposite end.
- Secure through wall board or tile to the wall stud so as to hold a minimum of 250 pounds of force.

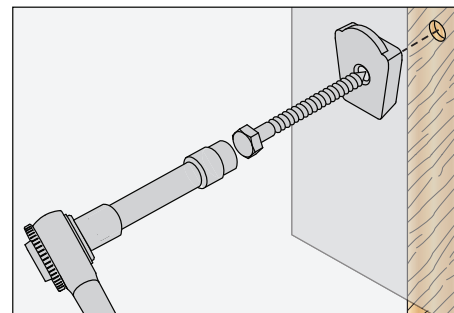
Installation (Wall & Wall Studs)



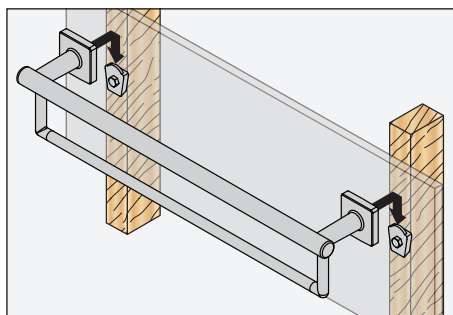
1) Place Towel Bar at desired position. Mark the centers on each end with a pencil.



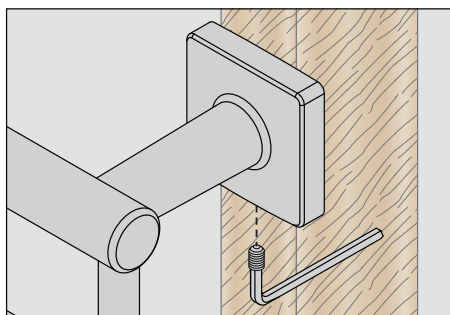
2) Remove Towel Bar from wall. Use drill with 7/64" drill bit to drill holes into wall and wall studs at the marked positions.



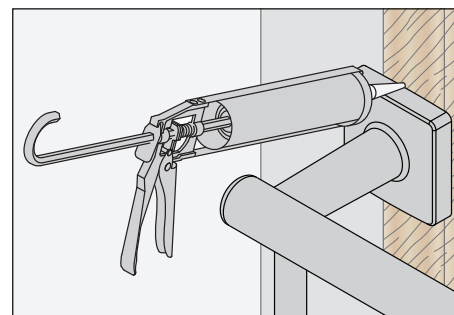
3) Use ratchet and lag bolt to attach mounting bracket to wall. Do not overtighten. Repeat step for opposite end, and then tighten both brackets so they are secured to wall.



4) Attach ends of Towel Bar to mounting brackets.

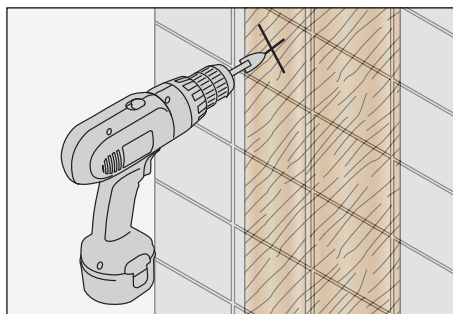


5) Secure Towel Bar end with set screw. Repeat step for opposite end.

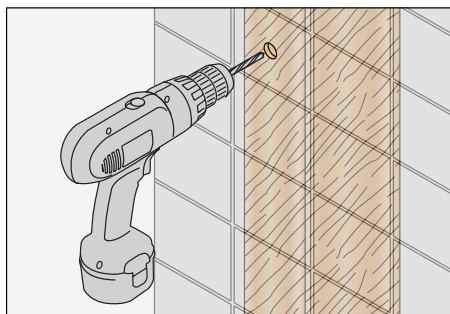


6) Apply a bead of silicone around the perimeter of the Towel Bar ends to prevent water from bleeding through the mounting holes and potentially damaging the wall and wall studs.

Installation (Ceramic Tile)



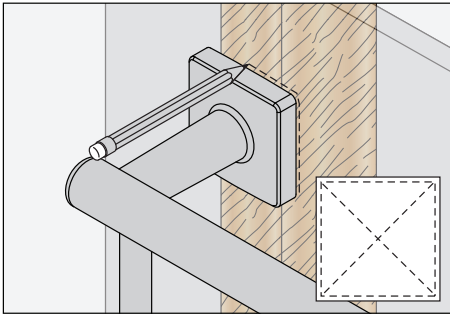
1) Follow step 1 for wall and wall studs to mark centers of Towel Bar ends. Use drill with 5/16" carbide tip drill bit to drill holes into ceramic tile at the marked positions to prevent damage to the tiles.



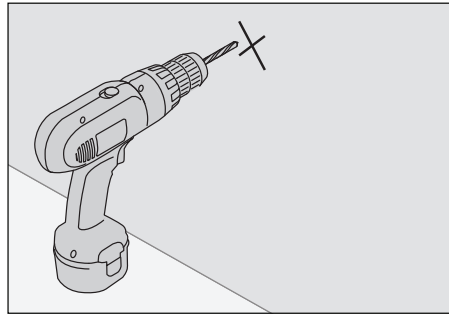
2) Use drill with 7/64" drill bit to drill pilot holes into wall studs through ceramic tile.

3) Follow steps 3, 4, 5 and 6 for wall and wall studs to complete installation of Towel Bar onto ceramic tile.

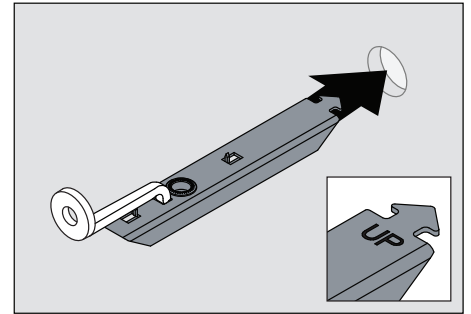
Installation (Drywall & Wall Stud with Mounting Anchor)



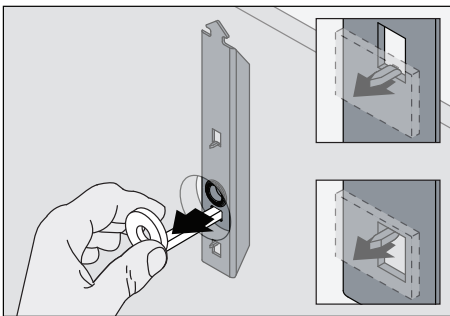
1) Place Towel Bar at desired position. Mark the centers on each end with a pencil. Follow steps 1-3 for wall and wall studs (page 3) to install bracket to wall stud.



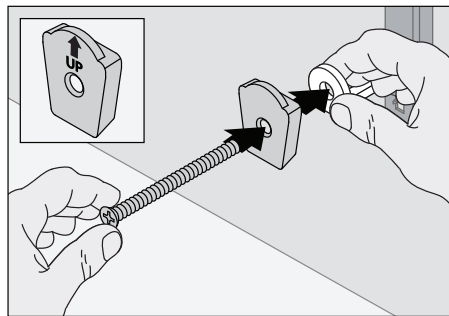
2) Use drill with 1" drill bit to drill holes into drywall at the marked position.



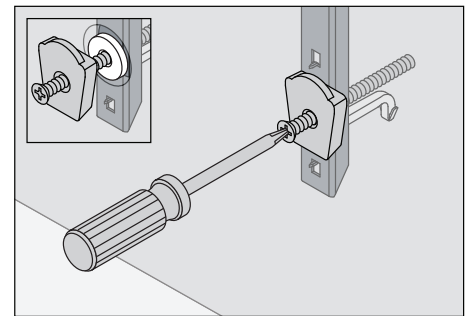
3) Hold white flange upright and insert mounting anchor bar into drywall hole with the arrow facing toward the drywall.



4) Pull backward on white flange so bar straightens and tilts upright. Arrow on bar must be facing upwards for anchor to perform as intended.



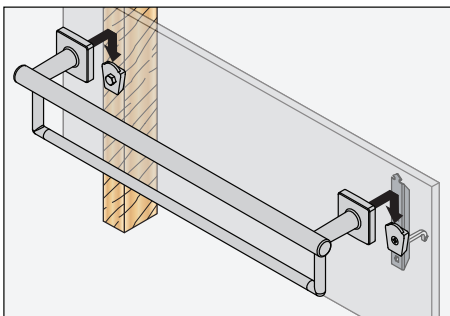
5) Keep pressure on bar behind the drywall. Align holes in bar, white flange and bracket. Align machine screw with holes. Hand tighten machine screw so bar remains upright.



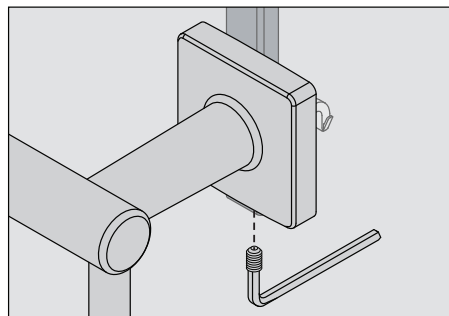
6) Tighten machine screw with phillips head screwdriver so bracket attached to mounting anchor bar is flush with drywall.

Note: Hooks on bar will penetrate drywall to help secure bar in the upright position.

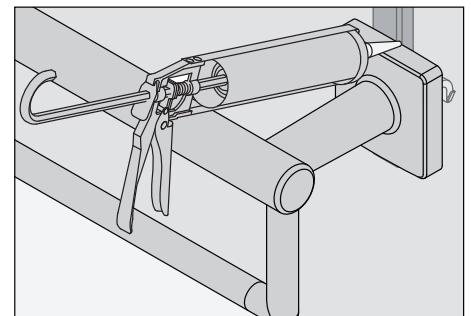
Note: The **UP** arrow on the bracket must be facing installer and pointing upright.



7) Attach ends of Towel Bar to mounting brackets.



8) Secure Towel Bar end with set screw. Repeat step for opposite end.



9) Apply a bead of silicone around the perimeter of the Towel Bar ends to prevent water from bleeding through the mounting holes and potentially damaging the wall and wall studs.

Troubleshooting Chart

Problem	Cause	Solution
Finish is spotting.	Elements in water supply may cause water staining on finish.	Clean finished trim area with a soft cloth using mild soap and water or a non-abrasive cleaner and then quickly rinse with water.

For California Residents

WARNING: This product contains chemicals known to the State of California to cause cancer, birth defects, or other reproductive harm.