

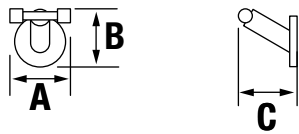
433RH, 433TB-18, 433TB-24, 433TP, 433TR  
Sereno<sup>™</sup> Accessories  
**Operation & Maintenance Manual**

Model Numbers	Specifications
<input type="checkbox"/> <b>433RH</b> <i>Robe Hook</i>  <input type="checkbox"/> <b>433TB-18</b> <i>18" Towel Bar</i>  <input type="checkbox"/> <b>433TB-24</b> <i>24" Towel Bar</i>  <input type="checkbox"/> <b>433TP</b> <i>Toilet Paper Holder</i>  <input type="checkbox"/> <b>433TR</b> <i>Towel Ring</i>	<p>All premium accessories made from brass plated in standard polished chrome finish.</p>
Modifications	Warranty
<input type="checkbox"/> <b>-STN</b> <i>Satin nickel finish</i>	<p><b>Limited Lifetime</b> - to the original end purchaser in consumer installations.  <b>5 Years</b> - for commercial installations.</p> <p>Refer to <a href="http://www.symmons.com/warranty">www.symmons.com/warranty</a> for complete warranty information.</p>

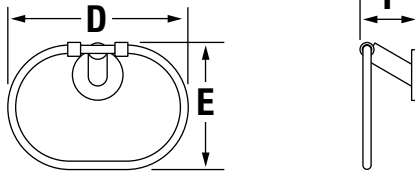
**Note:** Append appropriate -suffix to model number.

## Dimensions

433RH



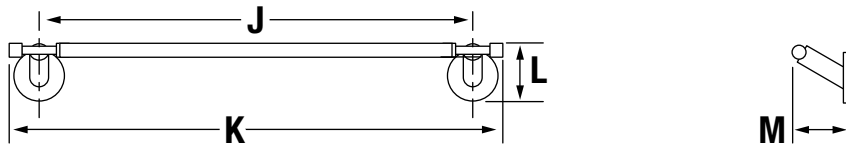
433TR



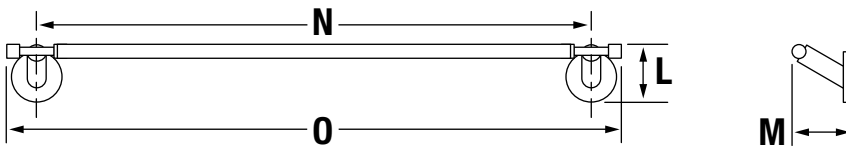
433TP



433TB-18



433TB-24



### Measurements

A	2 3/8", 60 mm
B	2 5/8", 67 mm
C	2 5/8", 67 mm
D	8 1/4", 210 mm
E	5 5/8", 143 mm
F	2 5/8", 67 mm
G	7", 178 mm
H	3 1/8", 79 mm
I	4 1/8", 105 mm
J	20", 508 mm
K	22 3/4", 578 mm
L	2 5/8", 67 mm
M	2 5/8", 67 mm
N	26", 660 mm
O	28 3/4", 730 mm

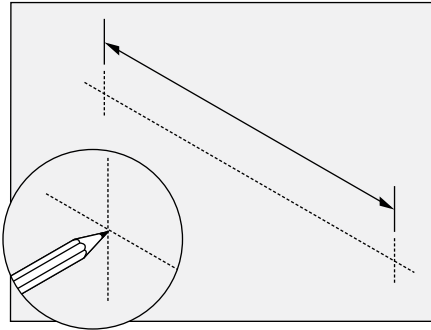
### Required for Installation

Phillips head screwdriver	
Power drill	

**Note:** Dimensions are subject to change without notice.

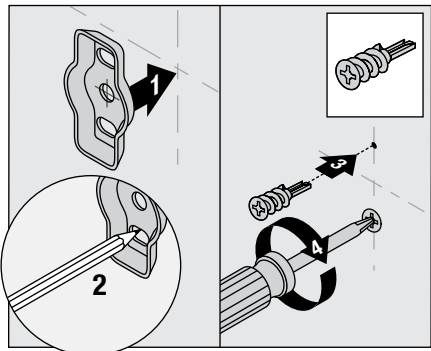
## Installation

- 1) Measure and mark centerlines for mounting bracket installation using dimensions on page 2.

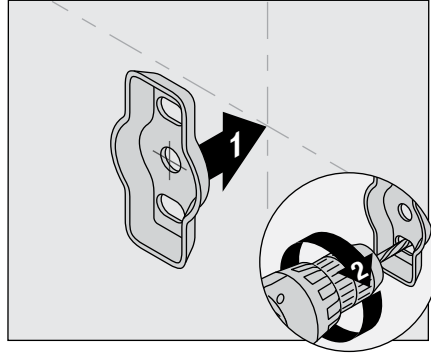


**Notes:** 433TB-18 and 433TB-24 only. Make sure both centerline marks are level.

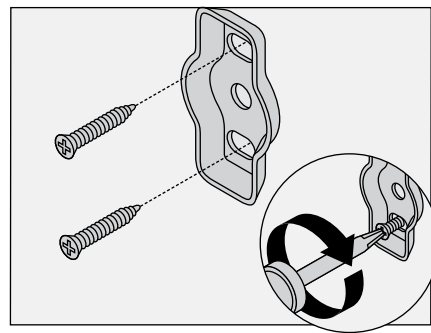
- 2a) **Dry Wall Option:** Place mounting brackets into desired position. Using brackets as a guide, mark holes. Screw self-drilling anchors into wall.



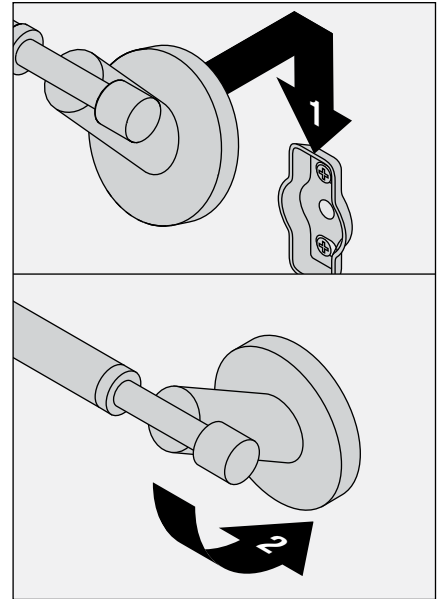
- 2b) **Stud Option:** Place mounting brackets into desired position. Using brackets as a guide, carefully drill 3/16" holes into wall.



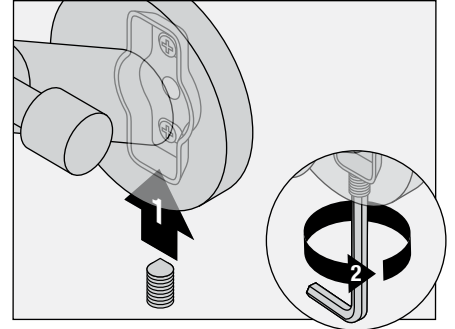
- 3) With mounting brackets in position, secure to wall using screws.



- 4) Hang top of accessory on mounting bracket. Lower into position.



- 5) Secure with set screw.



## Care and Cleaning

- 1) Clean finished trim area with a soft cloth using mild soap and water or a non-abrasive cleaner and then quickly rinse with water.