


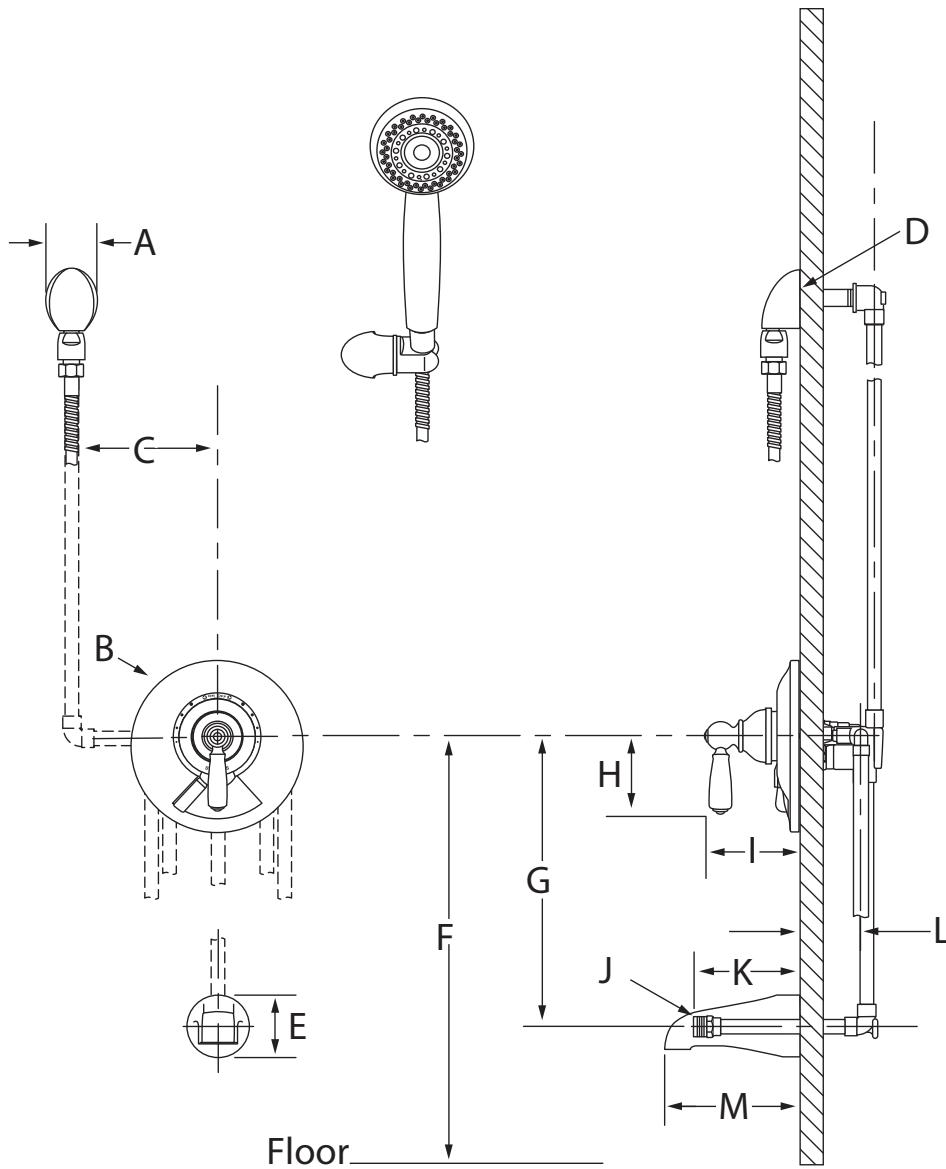


S-4704-TRM
 Allura® Tub/Hand Shower Trim
Operation & Maintenance Manual

Model Numbers	Specification
<input type="checkbox"/> S-4704-TRM <i>Valve Trim with Hand Shower</i>	<p>Tub/hand shower trim with lever handle and secondary integral diverter handle includes wall connection, cradle for hand shower mounting, non-diverter tub spout, in-line vacuum breaker, flexible metal hose and 3 mode hand shower with 2.5 gpm (9.5 L/min) flow restrictor. Components made from metal and plastic materials plated in standard polished chrome finish.</p> <div style="text-align: right;">   </div>
Options/Modifications	Compliance
<input type="checkbox"/> -1.5 <i>1.5 gpm (5.7 L/min) flow restrictor</i> <input type="checkbox"/> -2.0 <i>2.0 gpm (7.6 L/min) flow restrictor</i> <input type="checkbox"/> -H323-V <i>30" slide bar in place of wall cradle on hand shower units</i> <input type="checkbox"/> -LAM <i>Metal finish insert handle</i> <input type="checkbox"/> -LR <i>Lever handle</i> <input type="checkbox"/> -SS <i>Slip spout on any tub and shower unit</i> <input type="checkbox"/> -STN <i>Satin Nickel finish</i>	<p>-ASME A112.18.1; CSA B125.1</p> <div style="text-align: right;">  </div> <hr/> <p>Warranty</p> <p>Limited Lifetime - to the original end purchaser in consumer/residential installations. 5 Years - for industrial/commercial installations.</p> <p>Refer to www.symmons.com/warranty for complete warranty information.</p>

Note: Append appropriate -suffix to model number.

Dimensions

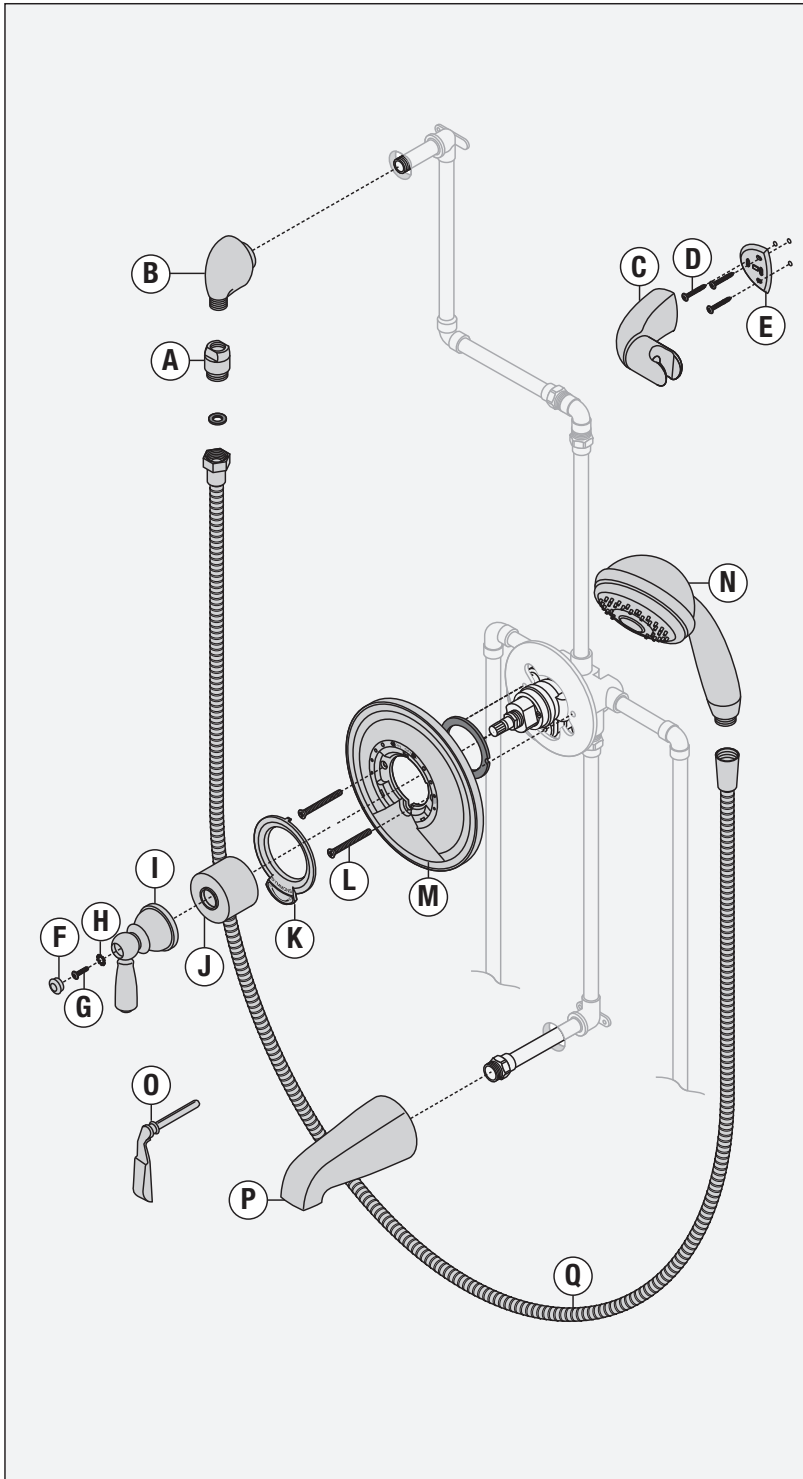


Measurements	
A	Ø 2 1/8", 54 mm
B	Ø 7", 178 mm
C	6", 152 mm right or left
D	Male 1/2" NPT thread must be recessed 1/4" from finished wall
E	2 1/2", 64 mm
F	Ref. 32", 813 mm
G	12", 305 mm
H	3 1/8", 79 mm
I	4 1/8", 105 mm
J	1/2" NPT
K	4", 102 mm
L	Rough-in 2 3/8" ± 1/2", 60 mm ± 13 mm
M	5 1/2", 140 mm

Notes:

- 1) All dimensions measured from nominal rough-in (see L as reference).
- 2) Dimensions subject to change without notice.

Parts Breakdown



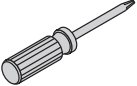

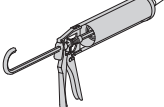


Replacement Parts		
Item	Description	Part Number
A	In-line Vacuum Breaker	EF-109
B	Wall Elbow	EF-105
C	Wall Cradle	EF-106
D	Cradle Hardware	
E	Cradle Mount	
F	Plug Button	RTS-026
G	Handle Screw	
H	Star Washer	
I	Handle	
J	Dome Cover	T-19
K	Dial	T-131A
L	Mounting Screws	
M	Shower Escutcheon	
N	Hand Shower	HS-143
O	Secondary Lever Handle	T-139
P	Tub Spout	060
Q	5" Hose with Vacuum Breaker	EF-104

Notes:

- 1) Append -STN to part number for Satin Nickel finish.
- 2) Append -1.5 or -2.0 hand shower for low flow.

Tools Required for Installation

Adjustable wrench	
Allen wrench (3/16")	
Phillips head screwdriver	
Plumber tape	
Silicone	

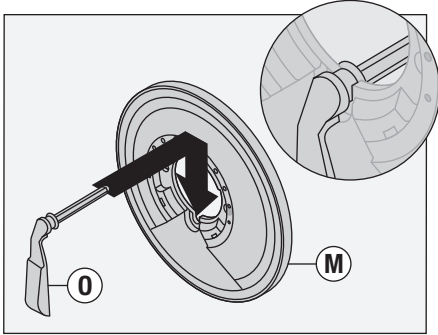
***Note:** Apply a bead of silicone around the perimeter of the escutcheon after installing trim flush with wall. Leave opening on bottom of escutcheon for weep hole.

Installation

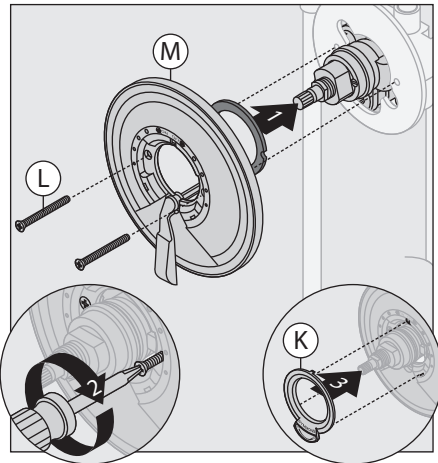
Note:

For valve body installation, please see valve body manual.

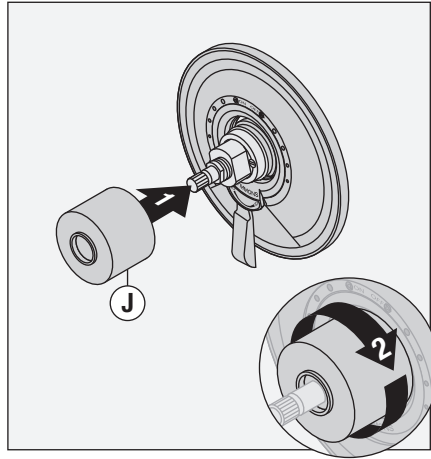
- 1) Attach integral diverter handle (O) to shower escutcheon (M).



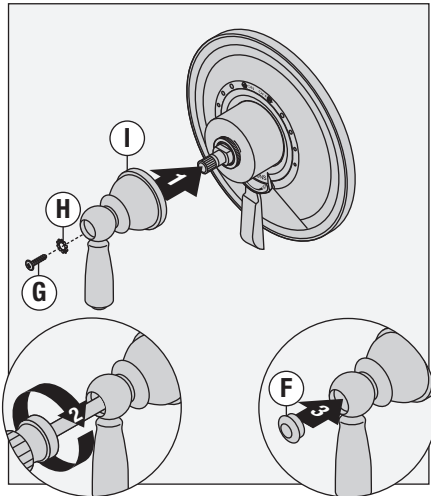
- 2) Install shower escutcheon (M) to shower valve (S-4002-BODY). Secure with two screws (L). Snap dial (K) into shower escutcheon.



- 3) Install dome cover (J) to valve by turning clockwise.

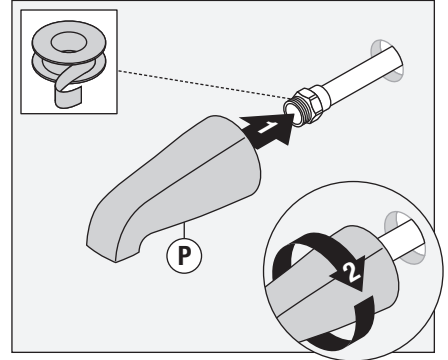


- 4) Install handle (I) to valve. Secure handle with star washer (H) and set screw (G). Attach plug button (F) to handle.

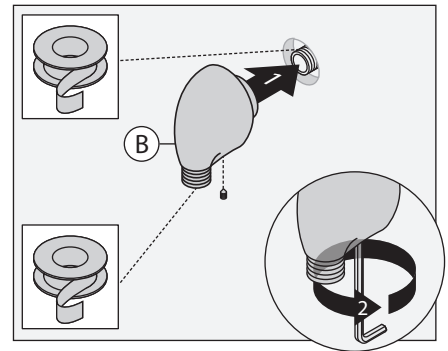


Note: Handle should be facing the 6 o'clock position.

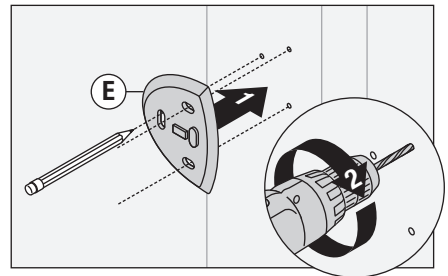
- 5) Install tub spout (P) to pipe fitting. Turn clockwise to secure.



- 6) Install wall elbow (B) to recessed pipe fitting. Tighten set screw to secure.

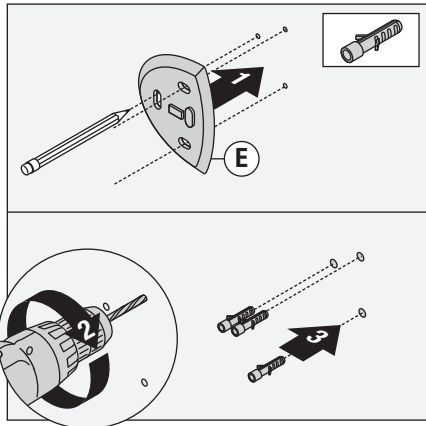


- 7) Place cradle mounting plate (E) in position, mark and drill 1/8" pilot holes into stud.

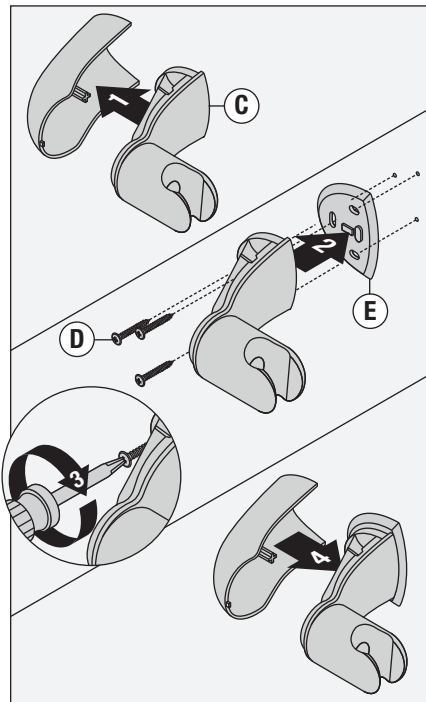


Installation

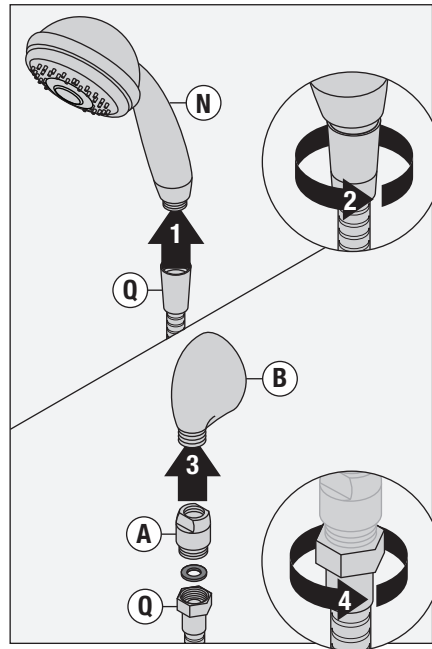
Option: Place mounting plate (E) in position, mark and drill 3/16" holes into wall. Install anchors.



8) Remove cover of hand shower cradle (C). Install cradle and mounting plate (E). Secure with three screws (D). Replace cover on hand shower cradle.



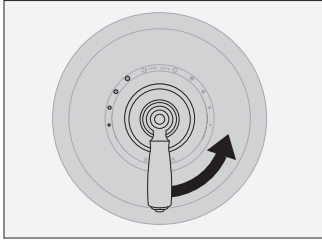
9) Attach large end of hand shower hose (Q) to hand shower (N). Connect in-line vacuum breaker (A) to wall elbow (B). Turn clockwise to tighten.



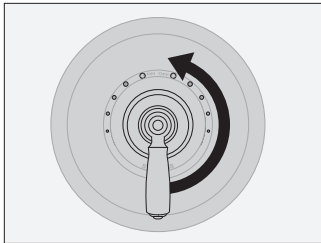
Operation & Maintenance

Temperature Control

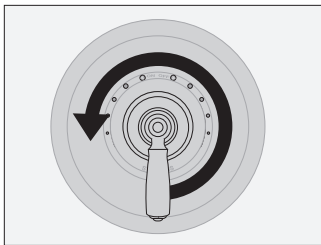
- 1) Turn shower handle counterclockwise approximately 1/4 turn to put valve in cold position.



- 2) Turn shower handle counterclockwise approximately 1/2 turn to put valve in warm position.

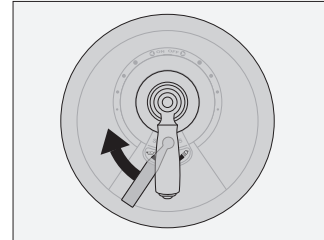


- 3) Turn shower handle counterclockwise approximately 3/4 turn to put valve in hot position.

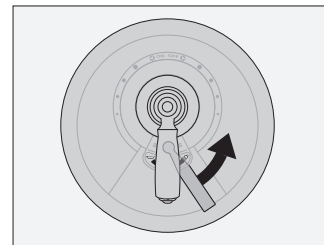


Diverter Control

- 1) Turn diverter left for tub spout operation.



- 2) Turn diverter right for hand shower operation.



Troubleshooting Chart

Finish is spotting.	Elements in water supply may cause water staining on finish.	Clean finished trim area with a soft cloth using mild soap and water or a non-abrasive cleaner and then quickly rinse with water.
---------------------	--	---