



SYMMONS® Oxford®

Roman Tub Faucet SRT-4270

Installation and Service Instructions



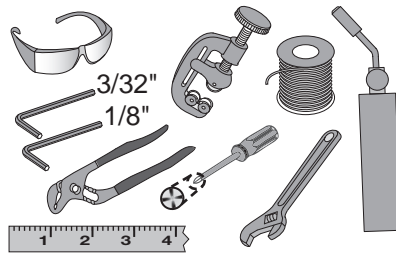
Model Numbers

SRT-4270 Roman Tub Faucet

Finish Options

- STN Satin Nickel
- ORB Oil Rubbed Bronze
- Chrome (standard finish)

Tools & Materials



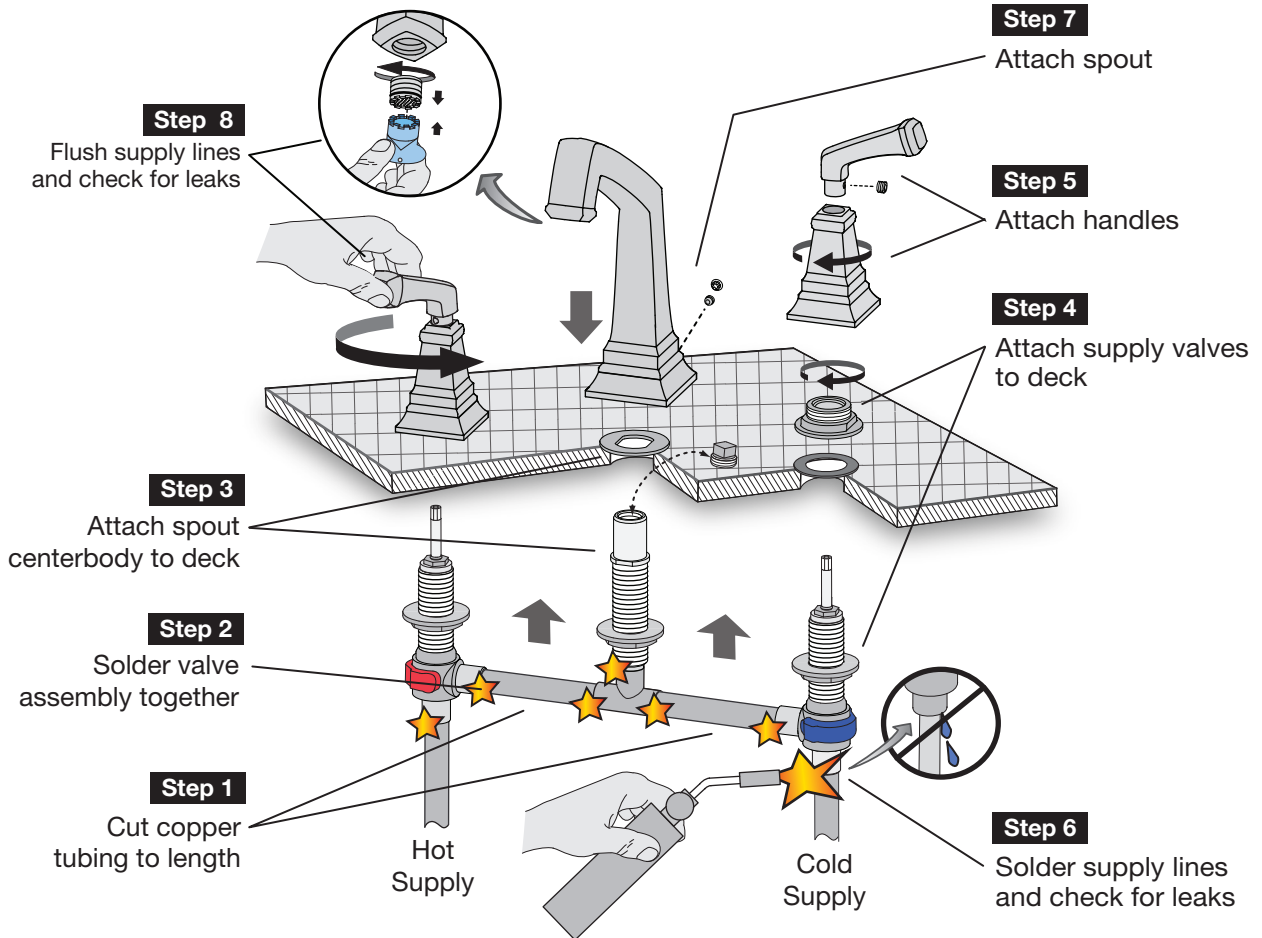
Need Help?

Symmons customer service:
 Phone: (800) 796-6667
 Email: gethelp@symmons.com
 Monday - Friday 7:30 am - 6:00 pm EST
www.symmons.com/service

Compliance

ASME A112.18.1/CSA B125.1 

Quick Install Guide Oxford Roman Tub Faucet, SRT-4270

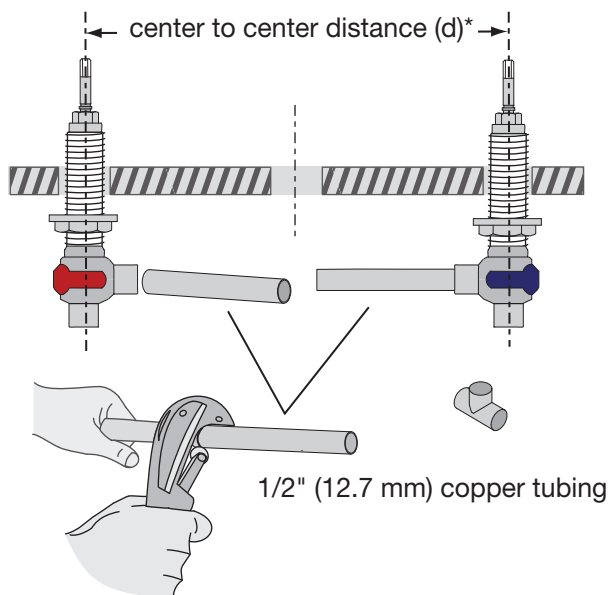


WARNING: This product can expose you to chemicals including lead, which is known to the state of California to cause cancer, birth defects, or other reproductive harm. For more information, go to www.P65Warnings.ca.gov.

Installation Instructions

Step 1 Cut copper tubing to length

Length = (d) minus 2-1/4 inches (57 mm) divided by 2.

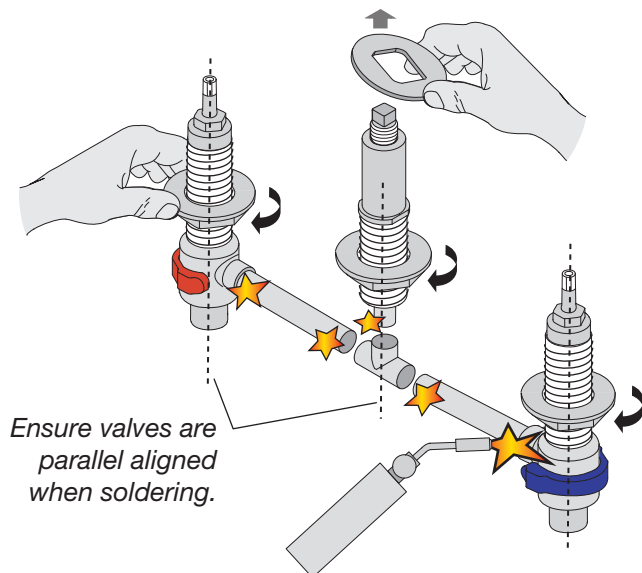


Example:

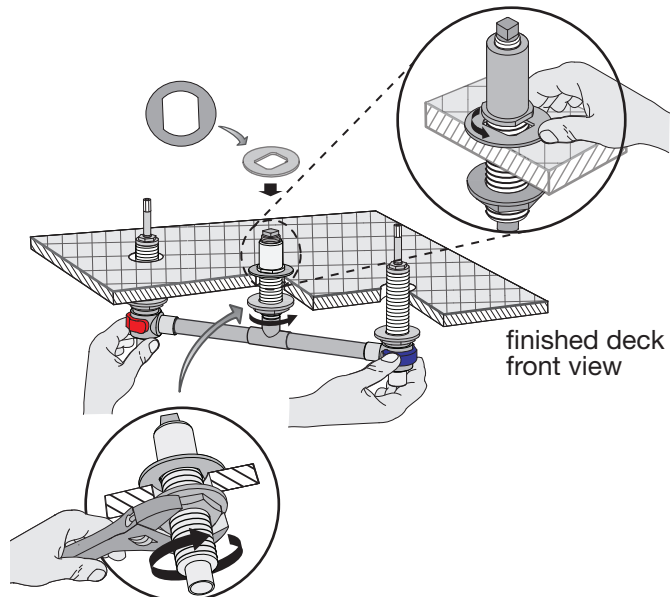
- If center to center distance (d) is 14 inches.
- 14 inches minus 2-1/4 inches = 11-3/4 inches.
- 11-3/4 inches divided by 2 = 5-7/8 inches.
- Cut 2 copper tubes into 5-7/8 inch lengths.

* Maximum distance (d) with supplied copper tubing is 18-1/4 inches (463 mm)

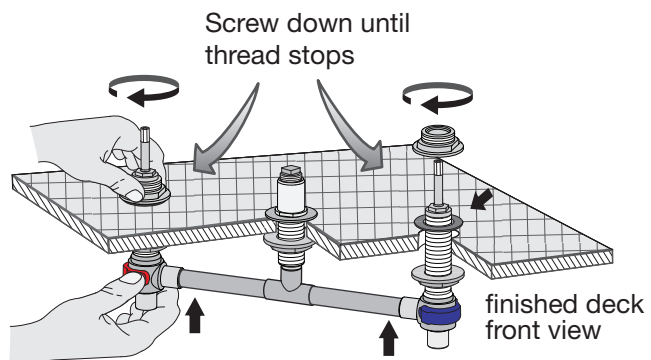
Step 2 Solder valve assembly together



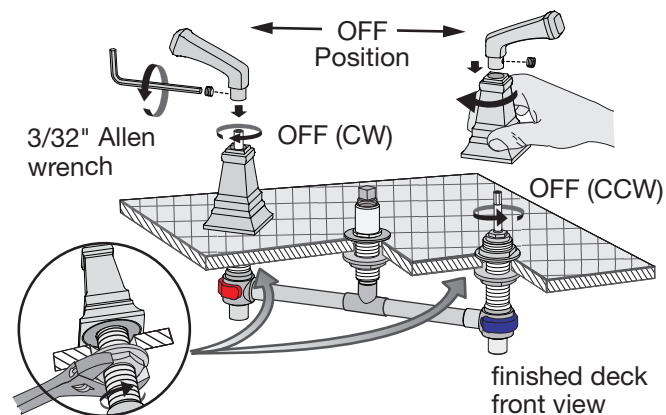
Step 3 Attach spout centerbody to deck



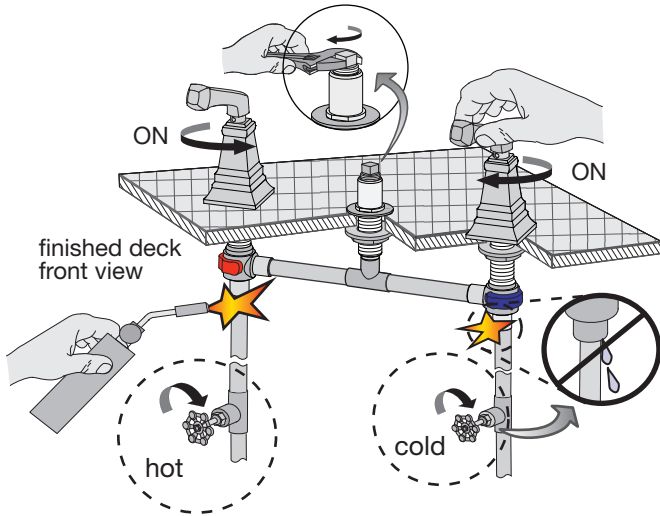
Step 4 Attach supply valves to deck



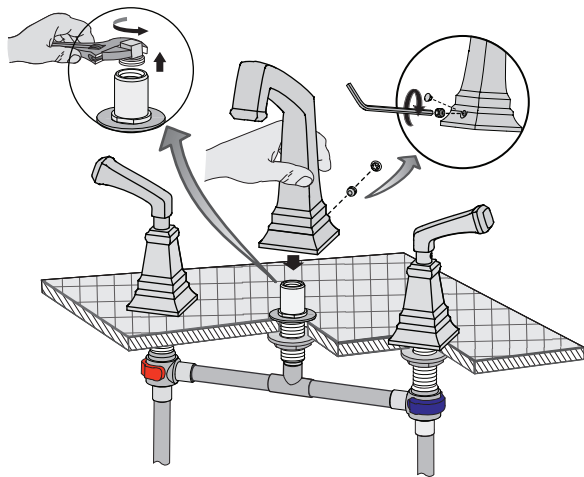
Step 5 Attach handles



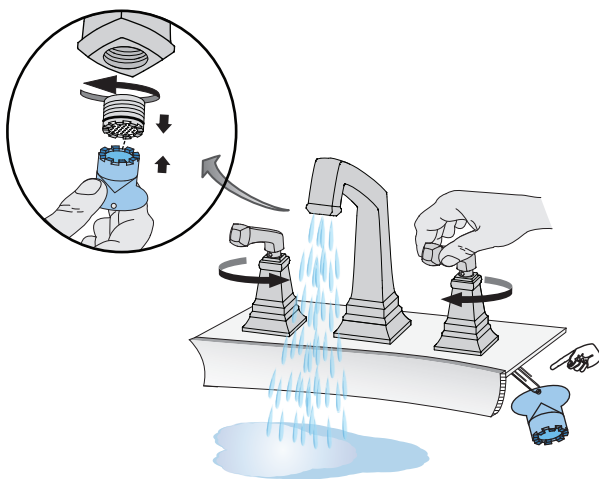
Step 6 Solder supply lines to valve inlets and check for any leaks



Step 7 Attach spout



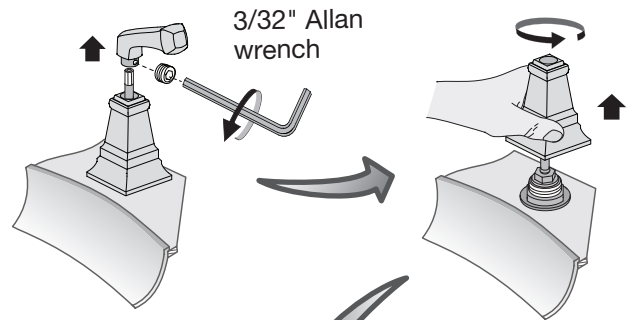
Step 8 Flush supply lines; check for leaks



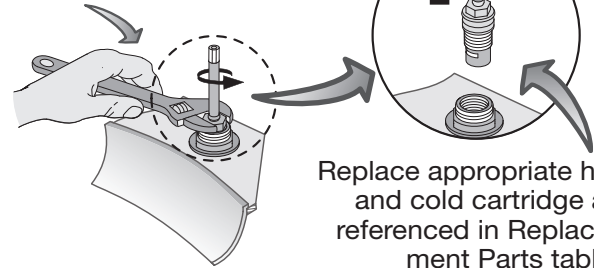
Care of faucet finish

Clean finish area by using mild soap and water or non-abrasive cleaner and then rinse immediately. A non-abrasive wax may be used to preserve finish area.

Valve cartridge replacement

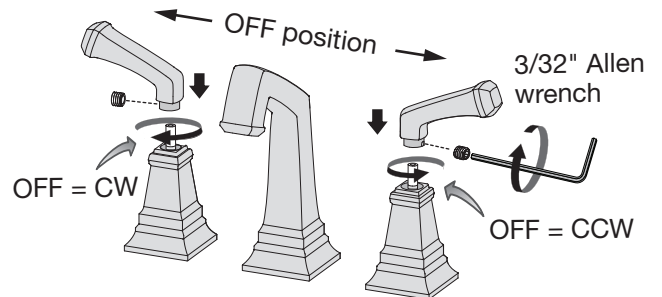


Use a 17mm deep socket or wrench.

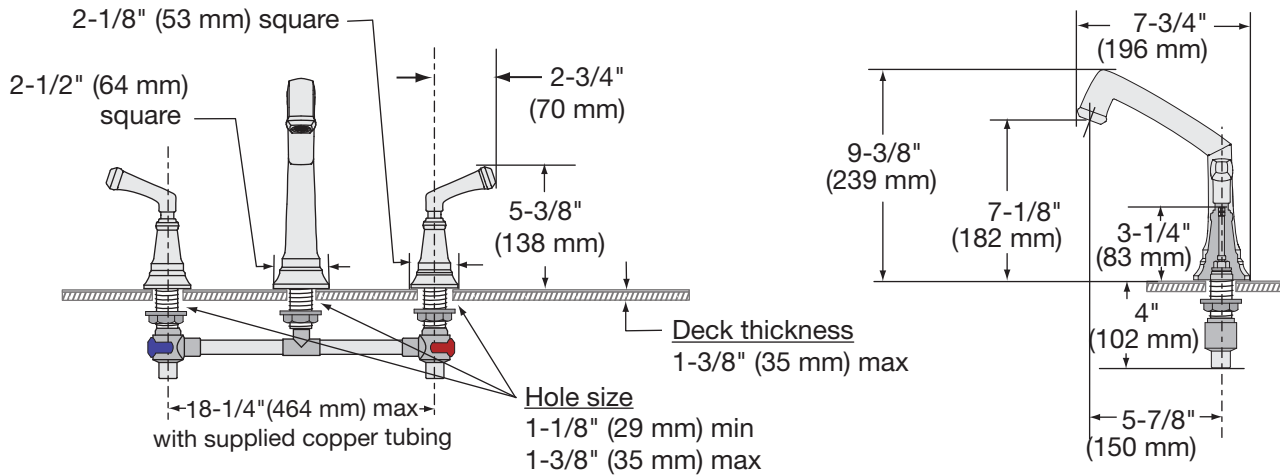


Replace appropriate hot and cold cartridge as referenced in Replacement Parts table.

Attaching handles

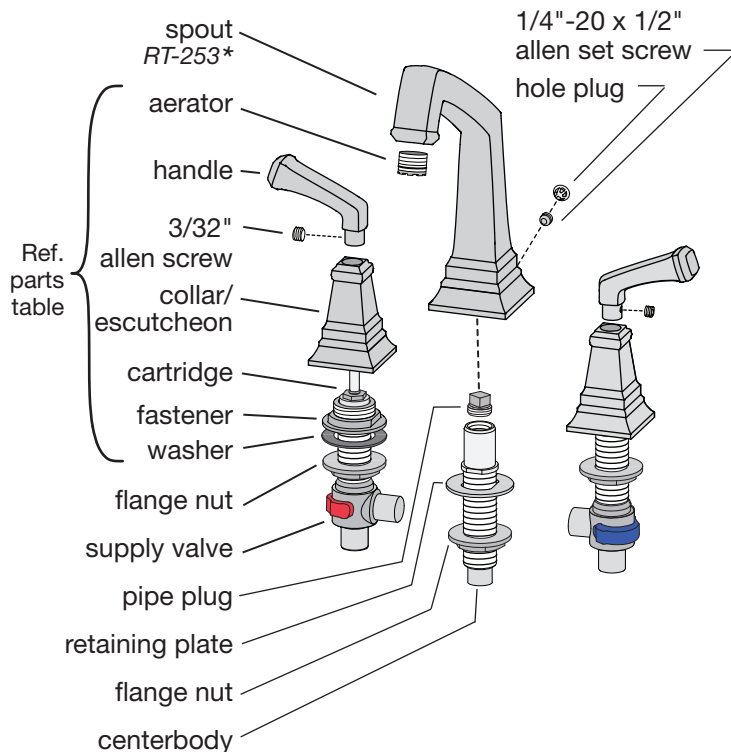


Dimensions Oxford Roman Tub Faucet, SRT-4270



Note: Dimensions subject to change without notice.

Parts Assembly Oxford Roman Tub Faucet, SRT-4270



Replacement Parts	
Part Number	Item
RT-422-KIT * <i>includes two handle assemblies</i>	handle kit handle screw collar fastener gasket
KN-114E (hot) OFF = CW KN-113E (cold) OFF = CCW	KN-113E identified by groove valve cartridge
LN-333-KIT	aerator (2.2 gpm) removal key

* Note: For faucets with an optional decorative finish, add appropriate suffix code letters to part numbers marked with an asterisk (*) when ordering.

Ordering replacement parts:

Call Symmons customer service at (800) 796-6667, (781) 848-2250 M-F 7:30 am - 6:00 pm EST or check our website at www.symmons.com for a list of Symmons distributors.