

Location:

# SYMMONS® Oxford® Showerhead 422SH Specification Submittal



**Model Numbers**

- 422SH..... Hand Shower

**Finish Options / Modifications**

*Append appropriate -suffix to model number.*

- CG** -1.5 1.5 (5.7 L/min) Flow rate restrictor
- 2.0 2.0 (7.6 L/min) Flow rate restrictor
- STN Satin nickel finish
- ORB Oil rubbed bronze finish

**Warranty**

- Limited Lifetime - to the original end purchaser in consumer installations.
- 5 years - for commercial installations

**Feature Highlights**

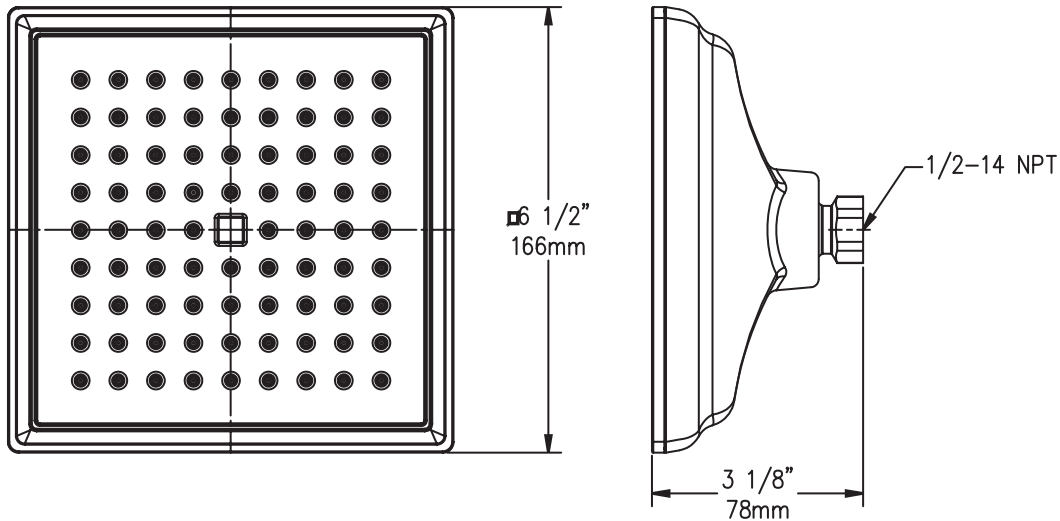
- Single mode showerhead
- Metal construction with polished chrome finish
- 2.5 gpm (9.5 L/min) standard flow rate

**Standards / Certifications**

ASME A112.18.1/CSA B125.1  
WaterSense: 2.0 gpm (7.6 L/min) MAX  
1.5 gpm (5.7 L/min) MIN



**Dimensions** *Oxford Showerhead, 422SH*



**Note:** *Dimensions subject to change without notice.*

Symmons Industries, Inc. ■ 31 Brooks Drive ■ Braintree, MA 02184  
Phone: (800) 796-6667 ■ Fax: (800) 961-9621  
Website: symmons.com ■ Email: gethelp@symmons.com

