




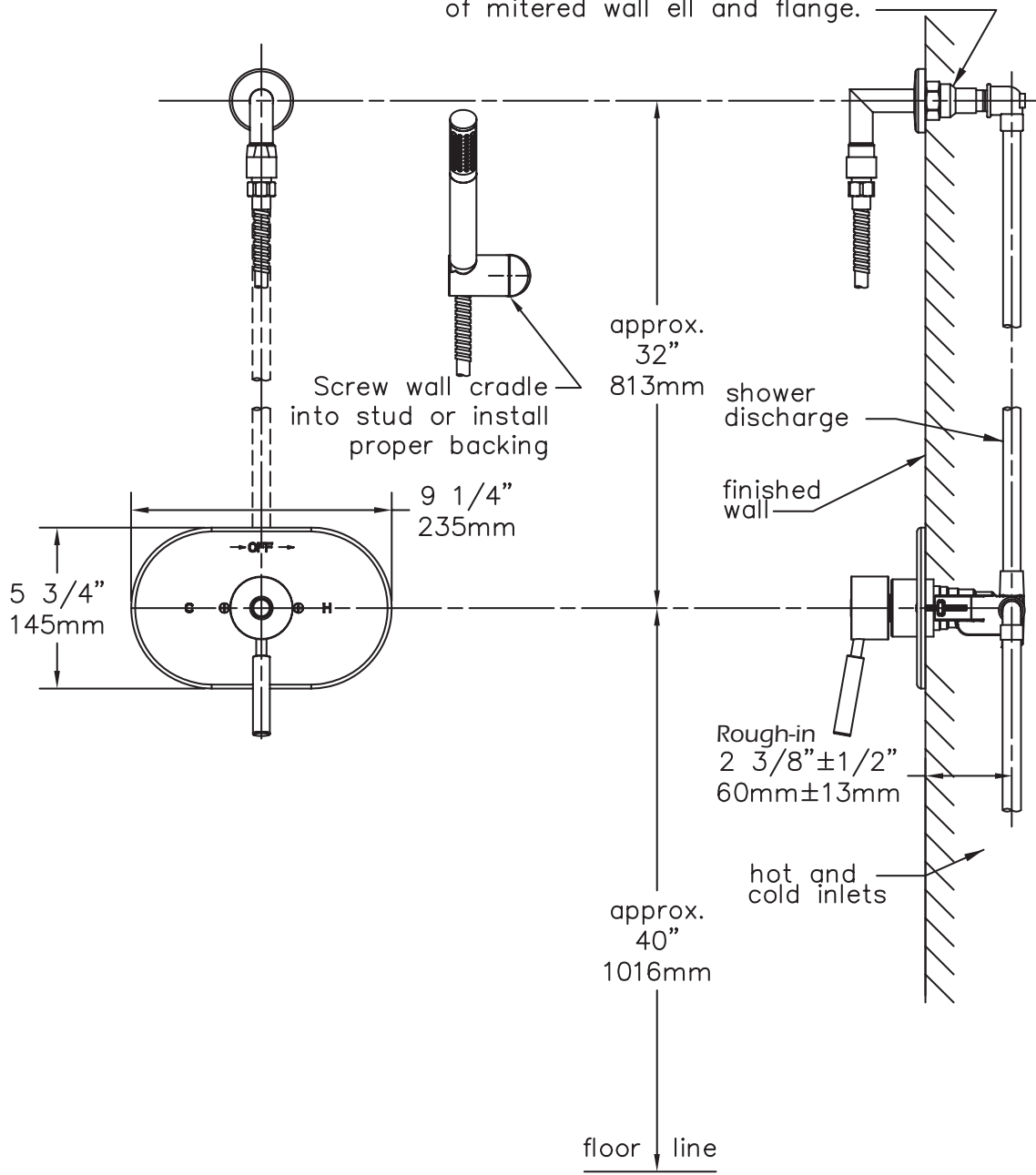
4303-TRM, 4303TRMTC  
Hand Shower Trim  
Specification Submittal



Feature Highlights	Options/Modifications
<ul style="list-style-type: none"> <li>Sereno Hand Shower Trim</li> <li>Requires Temptrol® Pressure Balancing Shower Valve</li> <li>Metal lever handle</li> <li>Cradle for hand shower wand</li> <li>Dual checks for backflow protection</li> <li>60" flexible metal hose</li> <li>1 mode hand shower wand</li> <li>2.5 gpm (9.5 L/min) flow restrictor</li> <li>Tub spout not included</li> <li>Components shall be metal and nonmetallic construction, plated in standard Polished Chrome finish</li> <li>Available with TA-10 flow control spindle and T-12A cap assembly for Temptrol valve bodies installed with Test Cap (order p/n 4303TRMTC)</li> <li>For optional in-line vacuum breaker order p/n EF-109</li> </ul>	<ul style="list-style-type: none"> <li><input type="checkbox"/> <b>-1.5</b>  1.5 gpm (5.7 L/min) flow restrictor</li> <li><input type="checkbox"/> <b>-2.0</b> 2.0 gpm (7.6 L/min) flow restrictor</li> <li><input type="checkbox"/> <b>-72</b> 72" hose in place of 60" hose</li> <li><input type="checkbox"/> <b>-432HSB</b> 30" slide bar in place of wall cradle</li> <li><input type="checkbox"/> <b>-ADACHS</b> ADA hand shower wand (chrome)</li> <li><input type="checkbox"/> <b>-ADAHS</b> ADA hand shower wand (white)</li> <li><input type="checkbox"/> <b>-EX</b> Exposed column/slide bar, hand shower bracket and hand shower wand (35EX)</li> <li><input type="checkbox"/> <b>-H321-V</b> 1 mode hand shower unit with slide bar</li> <li><input type="checkbox"/> <b>-H323-V</b> 3 mode hand shower unit with slide bar</li> <li><input type="checkbox"/> <b>-H323-V-48</b> 3 mode hand shower unit with 48" slide bar</li> <li><input type="checkbox"/> <b>-H3524</b> 24" decorative slide/grab bar with ADA wand</li> <li><input type="checkbox"/> <b>-H3536</b> 36" decorative slide/grab bar with ADA wand</li> <li><input type="checkbox"/> <b>-L2</b> Less hand shower wand</li> <li><input type="checkbox"/> <b>-LP</b>  Loop handle</li> <li><input type="checkbox"/> <b>-QD</b> Quick-disconnect on hand shower units</li> <li><input type="checkbox"/> <b>-R</b> 60" white vinyl hose in place of 60" metal hose</li> <li><input type="checkbox"/> <b>-REB</b> Rebuild trim kit, includes TA-10 and TA-4</li> <li><input type="checkbox"/> <b>-T724</b> 24" slide bar/grab bar with ADA wand</li> <li><input type="checkbox"/> <b>-T736</b> 36" slide bar/grab bar with ADA wand</li> <li><input type="checkbox"/> <b>-T748</b> 48" slide bar/grab bar with ADA wand</li> <li><input type="checkbox"/> <b>-VB</b> Elevated vacuum breaker</li> <li><input type="checkbox"/> <b>-VP</b> Vandal resistant escutcheon screws in place of standard screws</li> <li><input type="checkbox"/> <b>-STN</b> Satin Nickel finish</li> </ul> <p><b>Note:</b> Append appropriate -suffix to model number.</p>
<p><b>Model Numbers</b></p>	
<ul style="list-style-type: none"> <li><input type="checkbox"/> <b>4303-TRM</b> Hand Shower Trim, Temptrol Pressure Balancing Shower Valve ordered separately</li> <li><input type="checkbox"/> <b>4303TRMTC</b> Hand Shower Trim with TA-10 flow control spindle and T-12A cap assembly, must order Temptrol valve with Test Cap</li> </ul>	
<p><b>Compliance</b></p>	
<ul style="list-style-type: none"> <li>ASME A112.18.1/CSA B125.1</li> </ul> 	
<p><b>Warranty</b></p>	
<p><b>Limited Lifetime</b> - to the original end purchaser in consumer/residential installations.  <b>5 Years</b> - for industrial/commercial installations.  Refer to <a href="http://www.symmons.com/warranty">www.symmons.com/warranty</a> for complete warranty information.  Go to <a href="http://www.symmons.com/register">www.symmons.com/register</a> to register your Symmons product.</p>	

## Dimensions

Female 1/2" NPT thread must be recessed 7/8" (22mm) min. 2" (51mm) max. from finished wall for proper installation of mitered wall ell and flange.



### Notes:

- 1) Valve body and piping not included and shown as reference only.
- 2) Plaster shield (p/n T-176) for dry wall, plaster or other type walls 1/2" or greater.
- 3) All dimensions measured from nominal rough-in.
- 4) Dimensions subject to change without notice.