

Location:



# Hand Shower Wand, EF-119

## Specification Submittal



### Model Numbers

- EF-119 Hand shower wand

### Options / Modifications

Append appropriate -suffix to model number

- 2.0 2.0 (7.6 L/min) flow rate restrictor
- 1.5 1.5 (5.7 L/min) flow rate restrictor

### Finish Options / Modifications

Append appropriate -suffix to model number

- STN Satin nickel
- Polished chrome (standard finish)

### Feature Highlights

- Three mode hand shower wand
- Flow rate 2.5 gpm (9.5 L/min)
- Polished chrome finish (standard)

### Standards / Certifications

ASME A112.18.1/CSA B125.1

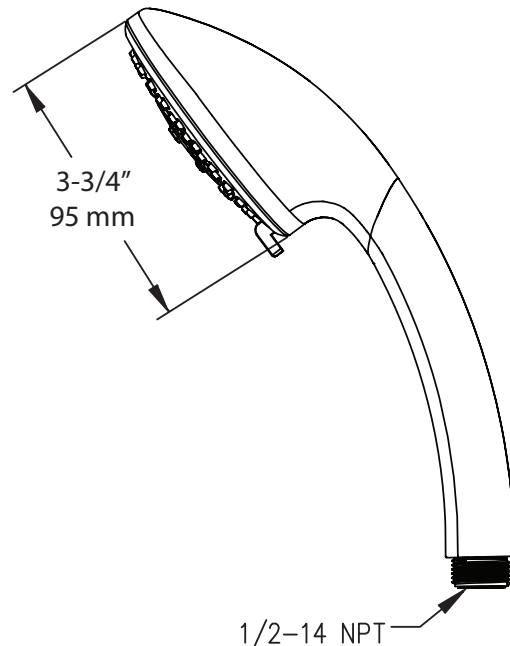
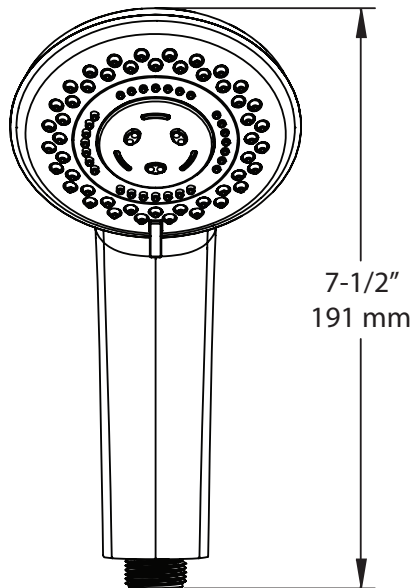
WaterSense 1.5 gpm and 2.0 gpm



### Warranty

- Limited Lifetime - to the original end purchaser in residential / consumer installations
- 5 years - for commercial installations

### Dimensions Hand Shower Wand, EF-119



**Note:** Dimensions subject to change without notice.